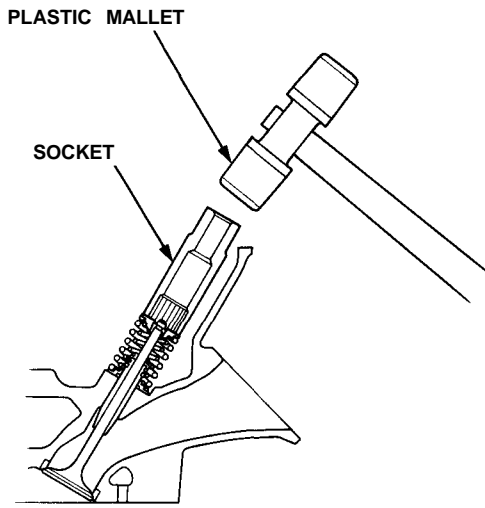


Valves, Valve Springs and Valve Seals

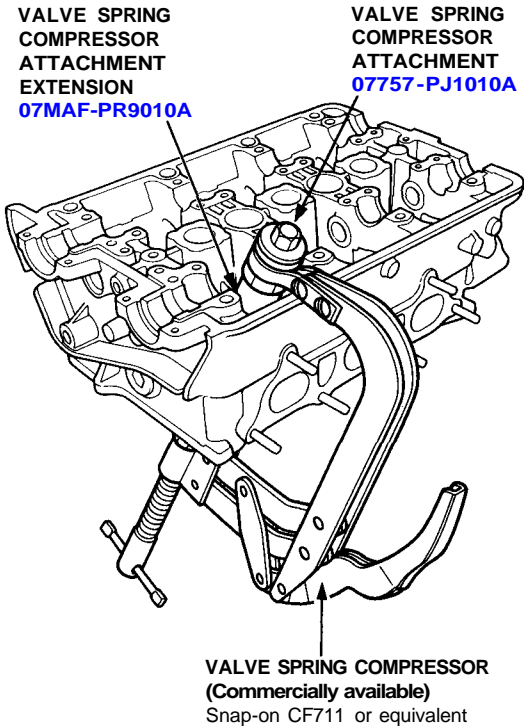
Replacement

NOTE: Identify valves and valve springs as they are removed so that each item can be reinstalled in its original position.

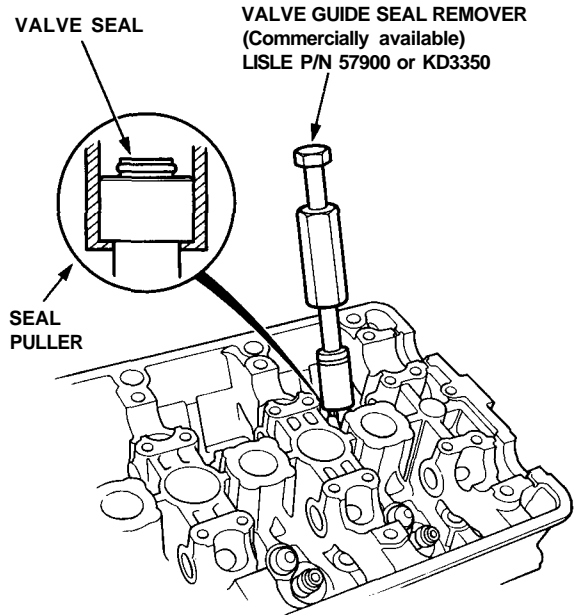
1. Using an appropriate-sized socket and plastic mallet, lightly tap the valve retainer to loosen the valve keepers before installing the valve spring compressor.



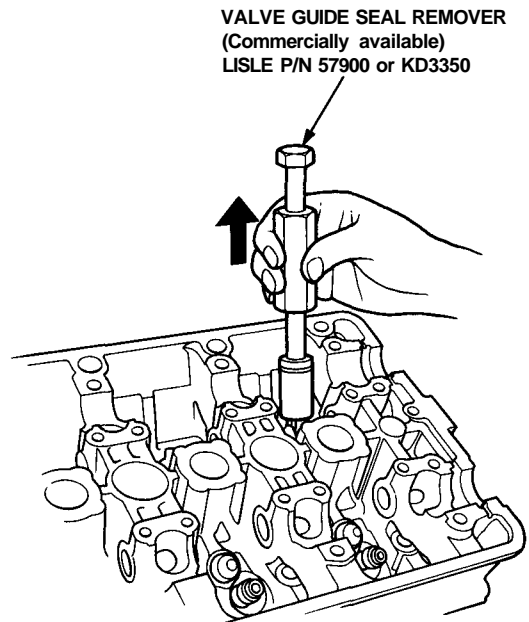
2. Install the spring compressor. Compress the spring and remove valve keeper.

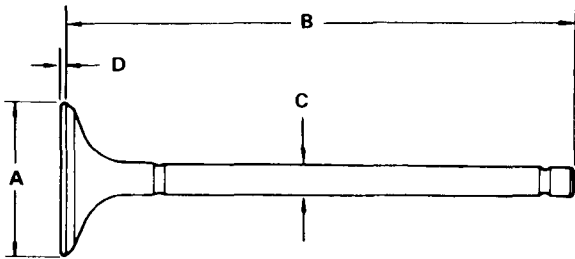


3. Install the special tool as shown.



4. Remove the valve guide seal.





Intake Valve Dimensions

- A Standard (New):** 34.9–35.1 mm
(1.374–1.382 in)
- B Standard (New):** 111.05–111.40 mm
(4.372–4.386 in)
- C Standard (New):** 5.475–5.485 mm
(0.2156–0.2159 in)
- C Service Limit:** 5.445 mm (0.2144 in)
- D Standard (New):** 1.05–1.35 mm
(0.041–0.053 in)
- D Service Limit:** 0.85 mm (0.033 in)

Exhaust Valve Dimensions

- A Standard (New):** 29.9–30.1 mm
(1.177–1.185 in)
- B Standard (New):** 109.60–109.90 mm
(4.315–4.327 in)
- C Standard (New):** 5.45–5.46 mm
(0.2146–0.2150 in)
- C Service Limit:** 5.42 mm (0.2134 in)
- D Standard (New):** 1.65–1.95 mm
(0.065–0.077 in)
- D Service Limit:** 1.45 mm (0.057 in)