




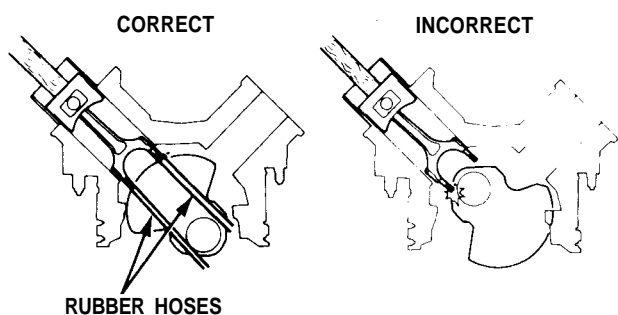
Piston/Connecting Rod Assemblies

Installation

 Before installing the piston, apply a coat of engine oil to the ring grooves and cylinder bores.

1. If the crankshaft is already installed:

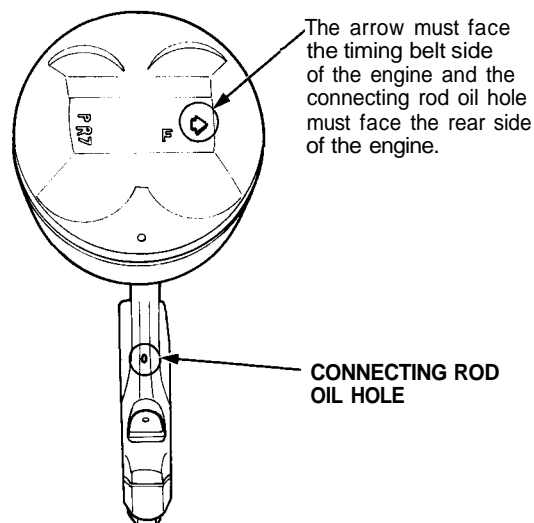
- Guide the piston carefully to prevent damage.
- Fit long rubber hoses (about 30 cm (12 in) long) to the connecting rod bolts to protect the crankshaft.
- Install the pistons after setting the crankshaft to BDC for each cylinder.



- Install the piston assemblies in No. 1 and No. 4 cylinders, No. 2 and No. 5 cylinders, and No. 3 and No. 6 cylinders.
- Install the ring compressor, check that the bearing is securely in place; then position the piston in the cylinder and tap it in using the wooden handle of a hammer.
- Stop after the ring compressor pops free and check the connecting rod-to-crank journal alignment before putting rod into place.
- Install the rod caps with bearings, and torque the nuts to 20 N-m (2.0 kg-m, 14 lb-ft), then turn the nut 95 degrees (see page 7-19).

2. If the crankshaft is not installed:

- Remove the rod caps and bearings, install the ring compressor, then position the piston in the cylinder and tap it in using the wooden handle of a hammer.



NOTE: Maintain downward force on the ring compressor to prevent rings from expanding before entering the cylinder bore.

