

Fuel Supply System

Fuel Pump

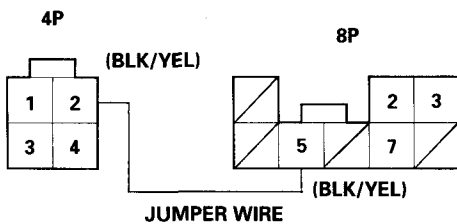
Testing

▲ WARNING Do not smoke during the test. Keep open flame away from your work area.

If you suspect a problem with the fuel pump, check that the fuel pump actually runs. When it is ON, you will hear some noise if you hold your ear to the fuel fill port with the fuel fill cap removed. The fuel pump should run for two seconds when the ignition switch is first turned on. If the fuel pump does not make noise, check as follows:

1. Remove the bulkhead panels.
2. Disconnect the C486 (6P) connector (located behind the bulkhead panels).
CAUTION: Be sure to turn the ignition switch OFF before disconnecting the wires.
3. Disconnect the PGM-FI main relay connector and connect the No. 2 terminal and No. 5 terminal* with a jumper wire. *: 8P connector

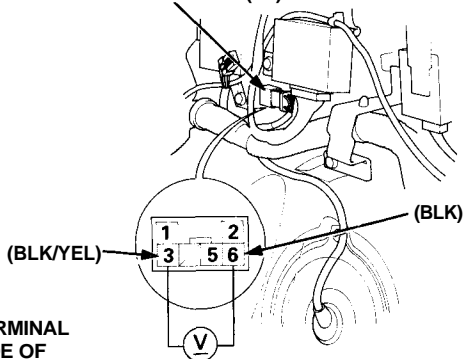
PGM-FI MAIN RELAY CONNECTORS



WIRE SIDE OF FEMALE TERMINALS

4. Check that battery voltage is available at the fuel pump connector when the ignition switch is turned ON (positive probe to the No. 3 terminal, negative probe to No. 6 terminal wire).

C486 CONNECTOR (6P)



- If battery voltage is available, replace the fuel pump.
- If there is no voltage, check the fuel pump ground and wire harness (see page 11-144).

Replacement

▲ WARNING Do not smoke while working on fuel system. Keep open flames away from your work area.

1. Remove the fuel tank (see page 11-147).
2. Disconnect the connector from the fuel pump.
3. Remove the fuel pump mounting nuts.
4. Remove the fuel pump from the fuel tank.

