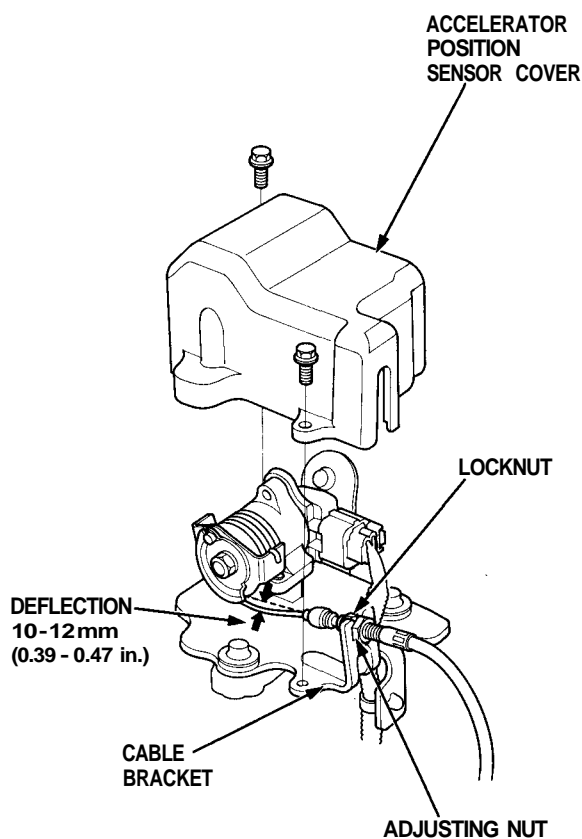


Intake Air System

Throttle Cable

Inspection/Adjustment

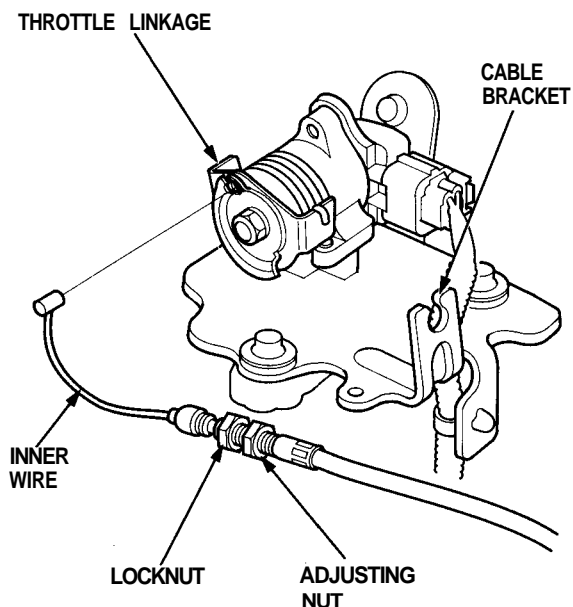
1. Remove the accelerator position sensor cover.
2. Check that the throttle cable operates smoothly with no binding or sticking. Repair as necessary.
3. Check cable free play at the throttle linkage. Cable deflection should be 10 - 12 mm (0.39 - 0.47 in.).



4. If deflection is not within specs, loosen the locknut, turn the adjusting nut until the deflection is as specified then retighten the locknut.

Installation

1. Rotate the throttle linkage counterclockwise, then install the throttle cable in the throttle linkage and install the cable housing in the cable bracket.



2. Hold the cable sheath, removing all slack from the cable.
3. Turn the adjusting nut until it is 3 mm (0.12 in.) away from the cable bracket.
4. Tighten the locknut. The cable deflection should now be 10 - 12 mm (0.39 - 0.47 in.). If not, see inspection/adjustment.

