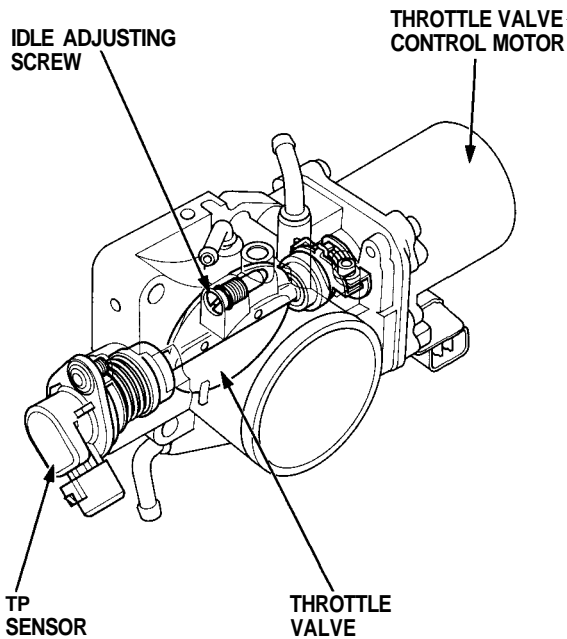




Throttle Body

Description

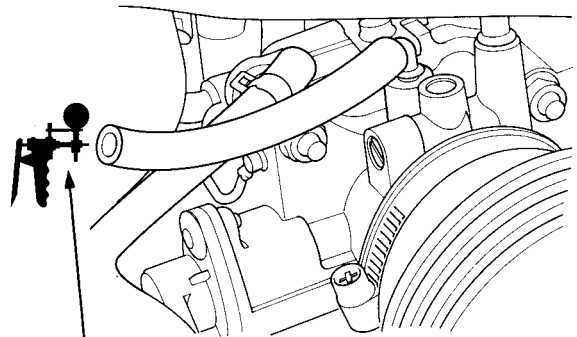
The throttle body is of the single-barrel side-draft type. The lower portion of the throttle valve is heated by engine coolant which is fed from the cylinder head. The idle adjusting screw, which increases/decreases bypass air, and the evaporative emission (EVAP) control canister port are located on the top of the throttle body.



Inspection

CAUTION: Do not adjust the throttle stop screw. It is preset at the factory.

1. Start the engine. Hold the engine at 3,000 rpm with no load (A/T in **N** or **P** position, M/T in neutral) until the radiator fan comes on, then let it idle.
2. Disconnect the vacuum hose (to the EVAP control canister) from the top of the throttle body; connect a vacuum gauge to the throttle body.



VACUUM PUMP/GAUGE
A973X-041-XXXXX

3. Allow the engine to idle and check that the gauge indicates no vacuum.
 - If there is vacuum, check the throttle cable (see page 11-150).
4. Check that vacuum is indicated on the gauge when the throttle is opened slightly from idle.
 - If the gauge indicates no vacuum, check the throttle body port. If the throttle body port is clogged, clean it with carburetor cleaner.

(cont'd)

Intake Air System

Throttle Body (cont'd)

Disassembly

