



Mid Plate

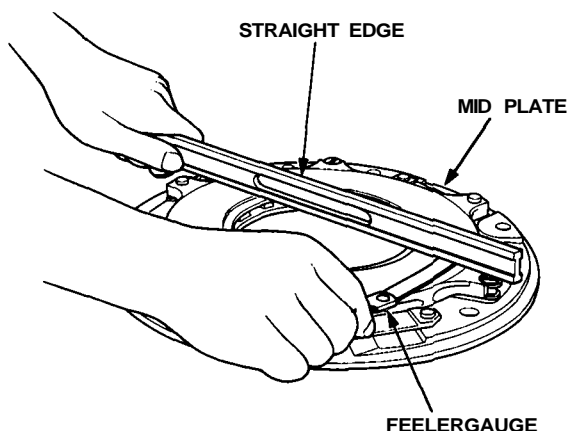
Inspection

NOTE: If replacement is required, always replace the pressure plate, mid plate, and flywheel as a set.

1. Inspect the mid plate surface for wear, cracks, and burning.
2. Inspect for warpage using a straight edge and feeler gauge.

NOTE: Measure across the mid plate at three points.

Standard: (New): 0.05 mm (0.002 in) max.
Service Limit: 0.15 mm (0.006 in)



If the warpage is more than the service limit, replace the mid plate.

Mid Plate Guide

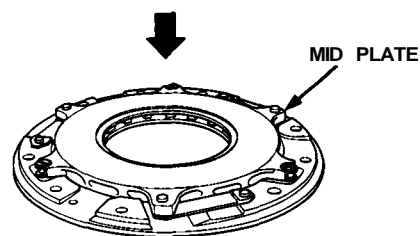
Inspection

The mid plate guides are the self-adjusting mechanisms for the mid plate.

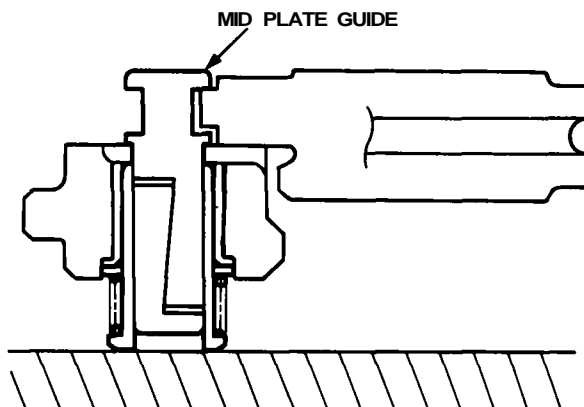
NOTE: Make sure all parts are clean before inspection.

Check the mid plate guides by pushing down on each of the guides by hand (10–60 kg). The mid plate guides should compress and lock in place.

If the mid plate guides do not move or compress, disassemble the mid plate guides and inspect them for debris, wear and damage. Refer to page [12-15 \('93-'96\)](#), [12-17 \('91-'92 Models\)](#).



Before Pressing:



After Pressing:

