

Maintenance

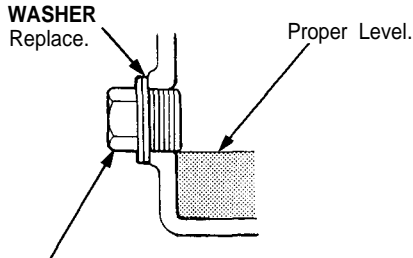
Back-up Light Switch, Neutral Position Switch



Transmission Oil

NOTE: Check the oil at normal operating temperature (the cooling fan comes on), engine OFF, and the car on level ground.

1. Remove the oil filler plug, then check the level and condition of the oil.



OIL FILLER PLUG
45 N-m (4.5 kg-m, 33 lb-ft)

2. The oil level must be up to the fill hole. If it is below the hole, add oil until it runs out, then reinstall the oil filler plug.
3. If the transmission oil is dirty, remove the drain plug and drain the oil.
4. Reinstall the drain plug with a new washer, and refill the transmission oil to the proper level.
5. Reinstall the oil filler plug with a new washer.

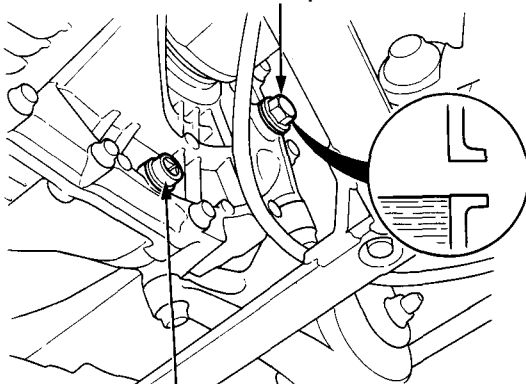
NOTE: The drain plug washer should be replaced at every oil change.

Oil Capacity

2.7 ℓ (2.9 US qt, 2.4 Imp qt) at oil change.
2.8 ℓ (3.0 US qt, 2.5 Imp qt) at overhaul.

Use only SAE 10W-30 or 10W-40, API Service SF or SG grade.

OIL FILLER PLUG
45 N-m (4.5 kg-m, 33 lb-ft)
WASHER Replace.

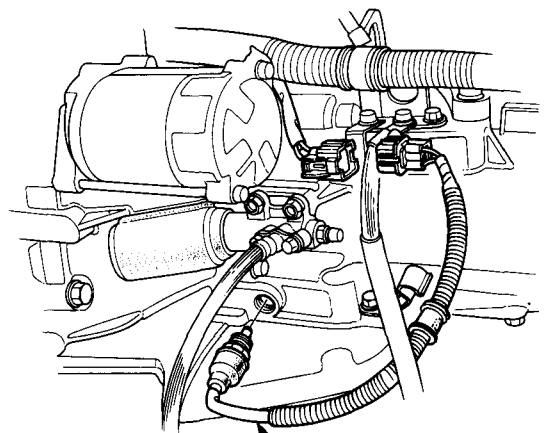
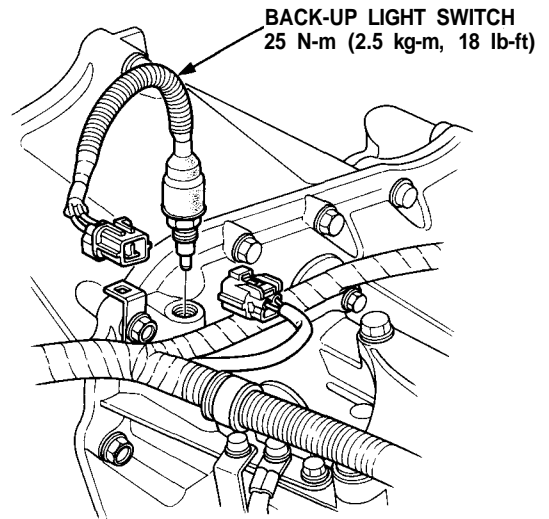


DRAIN PLUG
40 N-m (4.0 kg-m, 29 lb-ft)
WASHER Replace.

Replacement

NOTE: To check the switch, see [section 23](#).

1. Disconnect the connector, then remove the switch connector from the connector clamp.
2. Remove the switch.
3. Apply liquid gasket (P/N 08718-0001) to the switch threads, then install the switch.



NEUTRAL POSITION SWITCH
25 N-m (2.5 kg-m, 18 lb-ft)