


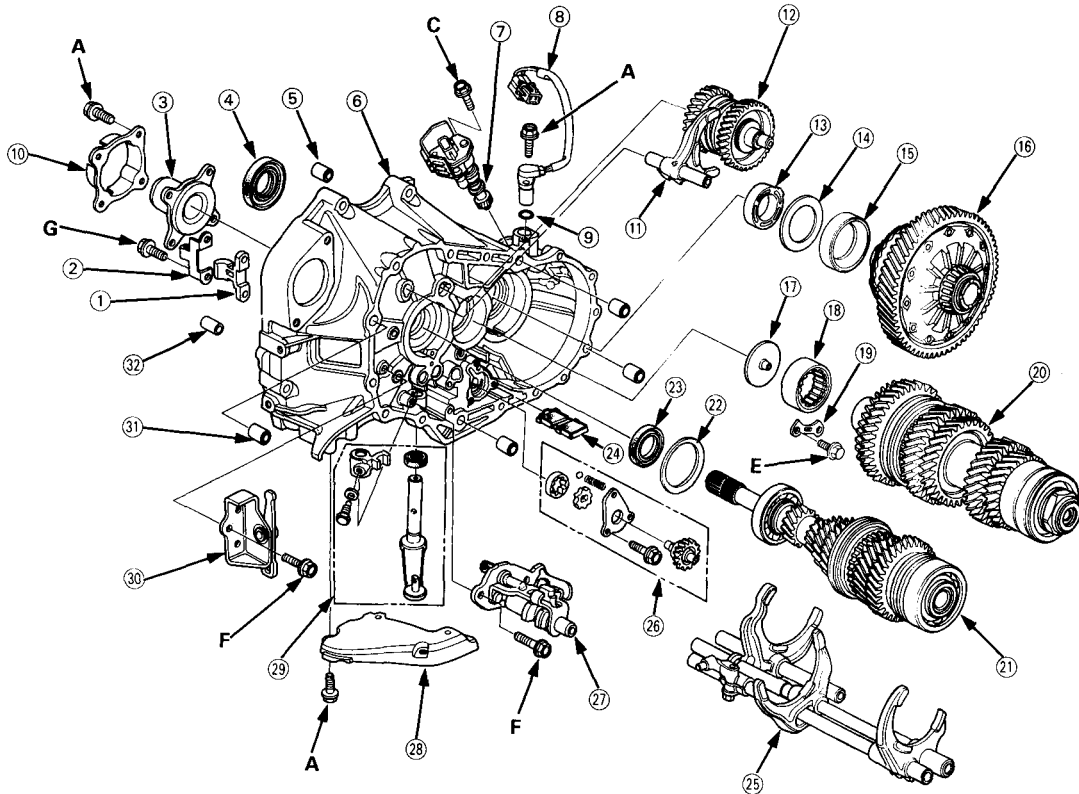
Illustrated Index

Clean all parts thoroughly in solvent and dry with compressed air.

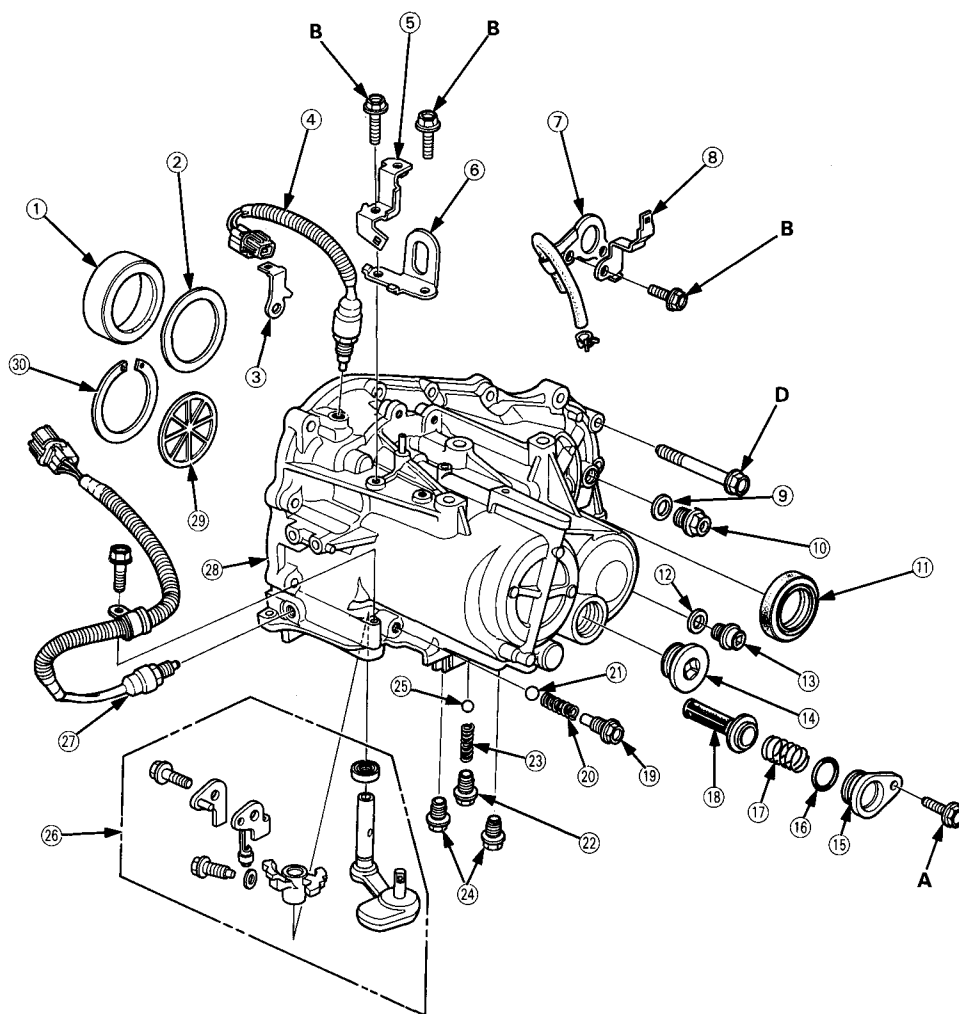
 Lubricate all parts with oil before reassembly.

NOTE:

- This transmission uses no gaskets between the major housings; use liquid gasket (P/N 08718—0001). If 20 minutes have passed after applying liquid gasket, reapply it and assemble the housings and allow it to cure at least 30 minutes after assembly before filling the transmission with oil.
- Always clean the magnet (24) whenever the transmission housing is disassembled.



- | | | |
|--------------------------------------|-----------------------------------|--------------------------------------|
| ① CLUTCH RELEASE HANGER | ⑬ OIL GUIDE RING | ⑳ TRANSMISSION MAGNET |
| ② RELEASE HANGER SPRING | ⑭ 90 mm WASHER | ㉑ SHIFT FORK ASSEMBLY |
| ③ RELEASE BEARING GUIDE | ⑮ BEARING OUTER RACE | • Disassembly/Reassembly, page 13-22 |
| ④ 40 x 68 x 12.5 mm OIL SEAL | ⑯ DIFFERENTIAL ASSEMBLY | ㉒ OIL PUMP ASSEMBLY |
| Replace. | • See section 15 | • Disassembly/Reassembly, page 13-37 |
| ⑤ 14 x 20 mm DOWEL PIN | ⑰ OIL GUIDE PLATE | ㉓ CHANGE HOLDER ASSEMBLY |
| ⑥ CLUTCH HOUSING | ⑱ 44 x 72 x 23 mm NEEDLE BEARING | • Disassembly/Reassembly, page 13-19 |
| ⑦ VEHICLE SPEED SENSOR (VSS) | • Inspect for wear and operation. | ㉔ UPPER COVER |
| ⑧ DIFFERENTIAL SPEED SENSOR | ⑲ BEARING RETAINING PLATE | ㉕ SELECT LEVER ASSEMBLY |
| ⑨ O-RING | ⑳ COUNTERSHAFT ASSEMBLY | • Removal, page 13-17 |
| Replace. | • Index, page 13-29 | • Installation, page 13-43 |
| ⑩ RELEASE BEARING GUIDE COVER | ㉑ MAINSHAFT ASSEMBLY | ⑳ REVERSE SHIFT ARM |
| ⑪ REVERSE SHIFT FORK ASSEMBLY | • Index, page 13-23 | ㉑ 14 x 20 mm DOWEL PIN |
| • Disassembly/Reassembly, page 13-16 | ㉒ 75 mm SPRING WASHER | ㉒ 10 x 20 mm DOWEL PIN |
| ⑫ REVERSE IDLE GEAR SHAFT ASSEMBLY | ㉓ 32 x 46 x 7 mm OIL SEAL | |
| • Disassembly/Reassembly, page 13-15 | Replace. | |



- | | | |
|---|--|---|
| <p>① BEARING OUTER RACE</p> <p>② 75 mm THRUST SHIM
Selection.</p> <p>③ CLAMP</p> <p>④ BACK-UP LIGHT SWITCH
25 N·m (2.5 kg-m, 18 lb-ft)</p> <p>⑤ CLAMP</p> <p>⑥ TRANSMISSION HANGER B</p> <p>⑦ TRANSMISSION HANGER A</p> <p>⑧ STAY</p> <p>⑨ WASHER
Replace.</p> <p>⑩ OIL FILLER PLUG
45 N·m (4.5 kg-m, 33 lb-ft)</p> <p>⑪ 42 x 63 x 12.5 mm OIL SEAL
Replace.</p> <p>⑫ WASHER
Replace.</p> <p>⑬ DRAIN PLUG
40 N·m (4.0 kg-m, 29 lb-ft)</p> | <p>⑭ 36 mm SEALING BOLT
35 N·m (3.5 kg-m, 25 lb-ft)</p> <p>⑮ STRAINER COVER</p> <p>⑯ O-RING
Replace.</p> <p>⑰ STRAINER SET SPRING</p> <p>⑱ OIL PUMP STRAINER</p> <p>⑲ 14 mm SEALING BOLT
33 N·m (3.3 kg-m, 24 lb-ft)</p> <p>⑳ SPRING (L. 25 mm)</p> <p>㉑ STEEL BALL (3/8 in)</p> <p>㉒ 12 mm SEALING BOLT
22 N·m (2.2 kg-m, 16 lb-ft)</p> | <p>㉓ SPRING (L. 24.2 mm)</p> <p>㉔ 16 mm SEALING BOLT COMP
42 N·m (4.2 kg-m, 30 lb-ft)</p> <p>㉕ STEEL BALL (5/16 in)</p> <p>㉖ SHIFT LEVER ASSEMBLY
• Removal, page 13-17
• Installation, page 13-43</p> <p>㉗ NEUTRAL POSITION SWITCH
25 N·m (2.5 kg-m, 18 lb-ft)</p> <p>㉘ TRANSMISSION HOUSING</p> <p>㉙ OIL GUIDE PLATE</p> <p>㉚ 82 mm THRUST SHIM
• Selection, page 13-41</p> |
|---|--|---|

Torque Value	Bolt Size
A—12 N·m (1.2 kg-m, 9 lb-ft)	6 x 1.0 mm
B—24 N·m (2.4 kg-m, 17 lb-ft)	8 x 1.25 mm
C—26 N·m (2.6 kg-m, 19 lb-ft)	8 x 1.25 mm
D—45 N·m (4.5 kg-m, 33 lb-ft)	10 x 1.25 mm
E—12 N·m (1.2 kg-m, 9 lb-ft)	6 x 1.0 mm SPECIAL BOLT
F—15 N·m (1.5 kg-m, 11 lb-ft)	6 x 1.0 mm SPECIAL BOLT
G—26 N·m (2.6 kg-m, 19 lb-ft)	8 x 1.25 mm SPECIAL BOLT