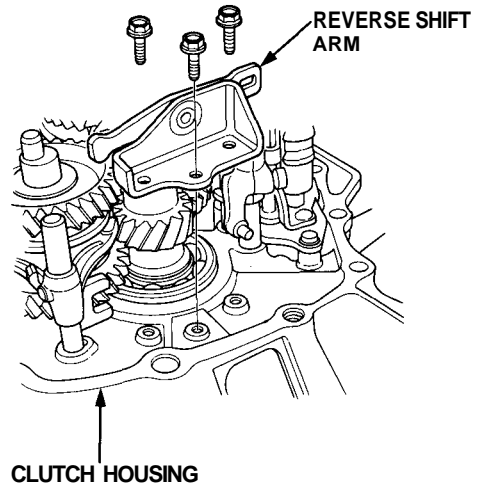


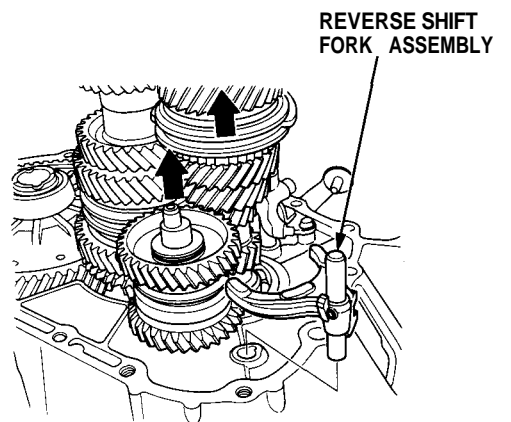
# Reverse Idler Gear Shaft Assembly

## Removal

1. Remove the reverse shift arm from the clutch housing.



2. Shift the reverse shift fork to the driven gear side.
3. Lift the mainshaft assembly and reverse idler gear shaft assembly, then remove the reverse shift fork assembly.





4. Lift the reverse idler gear shaft, then remove the spring pin from the groove and remove the idler gear shaft assembly.

