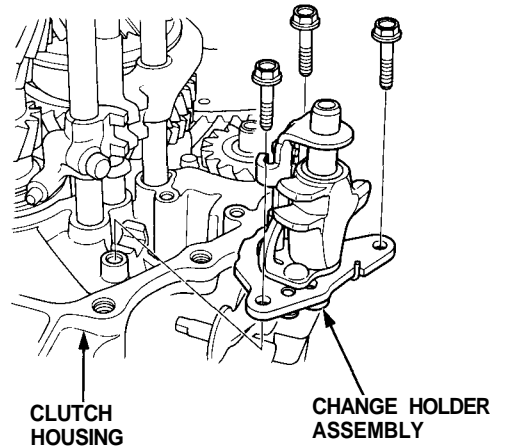


Mainshaft, Countershaft, Differential Assemblies

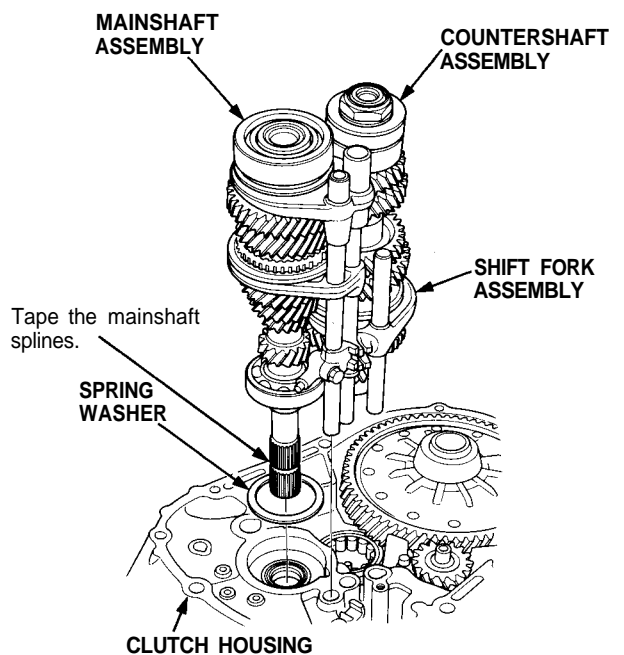
Removal

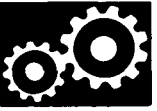
1. Remove the change holder assembly from the clutch housing.



2. Remove the mainshaft assembly and countershaft assembly with the shift fork from the clutch housing.

NOTE: Tape the mainshaft splines to protect them before removing the mainshaft and countershaft assemblies.





3. Remove the differential assembly from the clutch housing.

