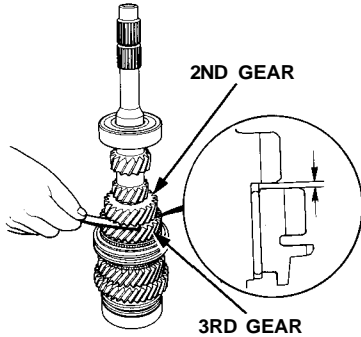


Mainshaft Assembly

Clearance Inspection

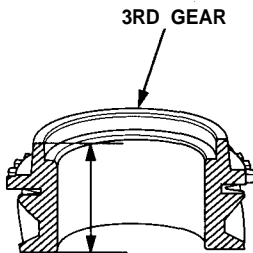
1. Measure the clearance between 2nd and 3rd gears.

Standard: 0.06—0.21 mm
(0.002-0.008 in)
Service Limit: 0.3 mm (0.012 in)



2. If the clearance exceeds the service limit, measure the thickness of 3rd gear.

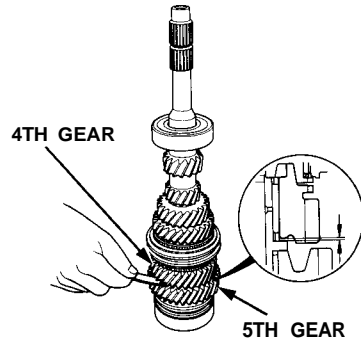
Standard: 35.92—35.97 mm
(1.414-1.416 in)
Service Limit: 35.80 mm (1.409 in)



If the thickness of 3rd gear is less than the service limit, replace 3rd gear with a new one.
If the thickness of 3rd gear is within the service limit, replace the 3rd/4th synchro hub with a new one.

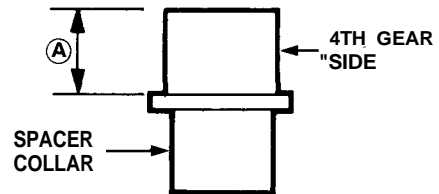
3. Measure the clearance between 4th gear and the spacer collar.

Standard: 0.06—0.21 mm
(0.002-0.008 in)
Service Limit: 0.3 mm (0.012 in)



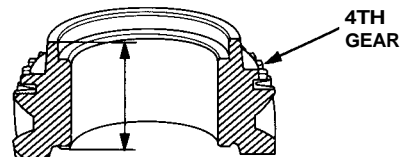
4. If the clearance exceeds the service limit, measure distance (A) on the spacer collar.

Standard: 29.53—29.58 mm
(1.163-1.165 in)
Service Limit: 29.51 mm (1.162 in)



5. If distance (A) is less than the service limit, replace the spacer collar with a new one.
If distance (A) is within the service limit, measure the thickness of 4th gear.

Standard: 35.92-35.97 mm
(1.414-1.416 in)
Service Limit: 35.80 mm (1.409 in)

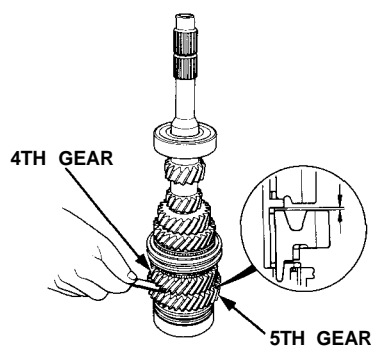


If the thickness of 4th gear is less than the service limit, replace 4th gear with a new one.
If the thickness of 4th gear is within the service limit, replace the 3rd/4th synchro hub with a new one.



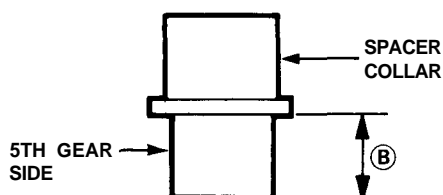
6. Measure the clearance between the spacer collar and 5th gear.

Standard: 0.06—0.21 mm
(0.002-0.008 in)
Service Limit: 0.3 mm (0.012 in)



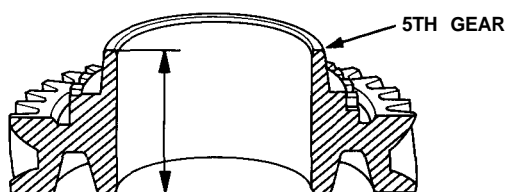
7. If the clearance exceeds the service limit, measure distance \textcircled{B} on the spacer collar.

Standard: 28.53—28.58 mm
(1.123-1.125 in)
Service Limit: 28.51 mm (1.122 in)



8. If distance \textcircled{B} is less than the service limit, replace the spacer collar with a new one.
If distance \textcircled{B} is within the service limit, measure thickness of 5th gear.

Standard: 34.92-34.97 mm
(1.375-1.377 in)
Service Limit: 34.80 mm (1.370 in)



If the thickness of 5th gear is less than the service limit, replace 5th gear with a new one.
If the thickness of 5th gear is within the service limit, replace the 5th synchro hub with a new one.