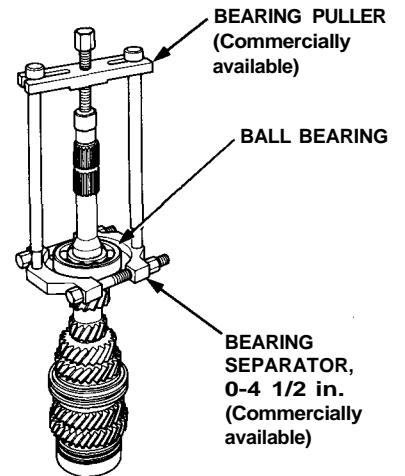




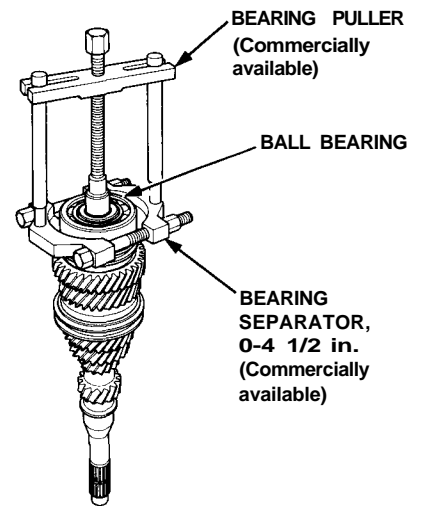
## Disassembly

1. Remove the ball bearing using a bearing puller as shown.

Clutch housing side:



Transmission housing side:



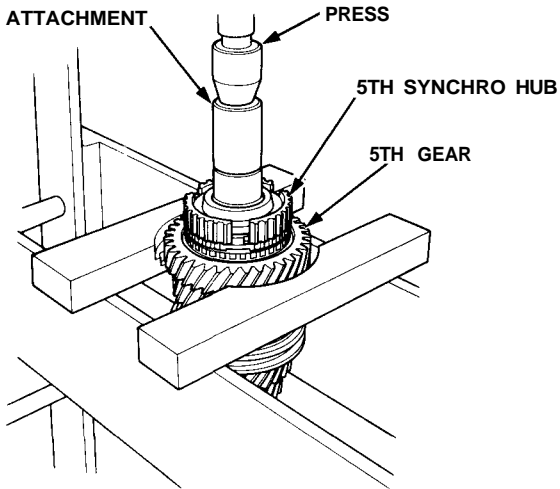
(cont'd)

# Mainshaft Assembly

## Disassembly (cont'd)

**CAUTION:** Remove the synchro hubs using a press and steel blocks as shown. Use of a jaw-type puller can damage the gear teeth.

2. Support 5th gear on steel blocks as shown, and press the shaft out of the 5th synchro hub.



3. In the same manner as above, support the 3rd gear on steel blocks, and press the shaft out of the 3rd/4th synchro hub.

