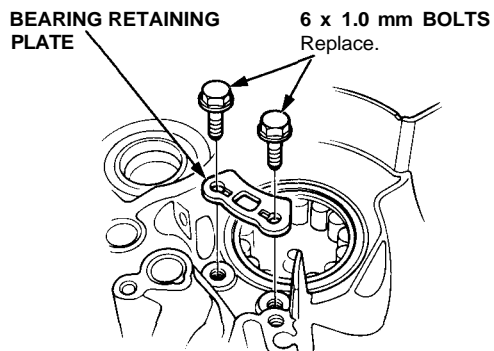




Countershaft Bearing (Clutch Housing)

Replacement

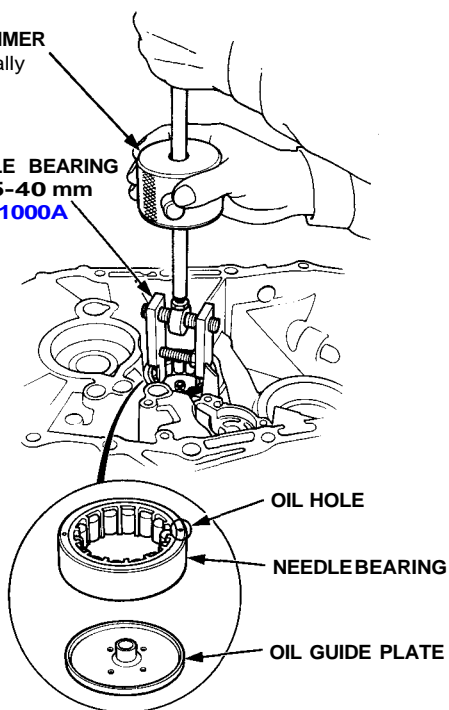
1. Remove the bearing retaining plate.



2. Remove the needle bearing with the special tool, then remove the oil guide plate.

**3/8"-16
SLIDE HAMMER**
(Commercially
available)

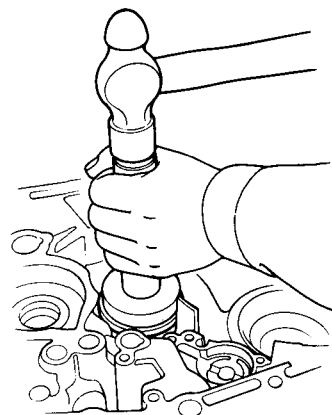
**ADJUSTABLE BEARING
PULLER, 25-40 mm**
07736 - A01000A



3. Position the oil guide plate and new needle bearing in the bore of the clutch housing.

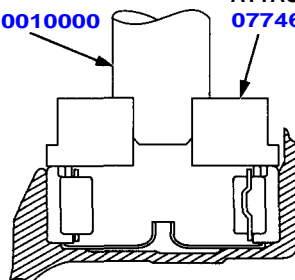
NOTE: Position the needle bearing with the oil hole facing up.

4. Drive the needle bearing using the special tools as shown.



DRIVER
07749 - 0010000

ATTACHMENT, 62 x 68 mm
07746 - 0010500



5. Install the bearing retaining plate, and stake the bolt heads in the groove in the bearing retaining plate.

6 x 1.0 mm SPECIAL BOLT
12 N-m (1.2 kg-m, 9 lb-ft)
Replace.

