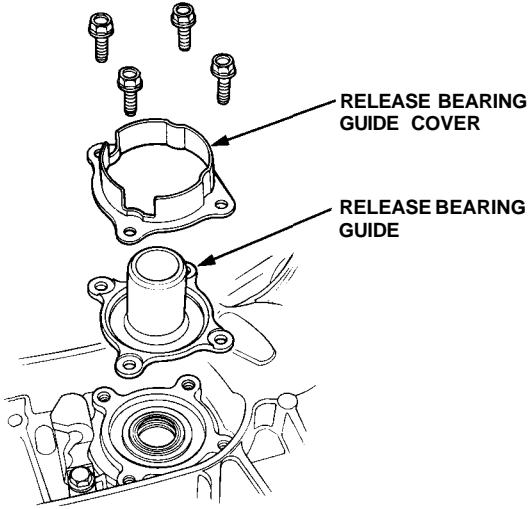


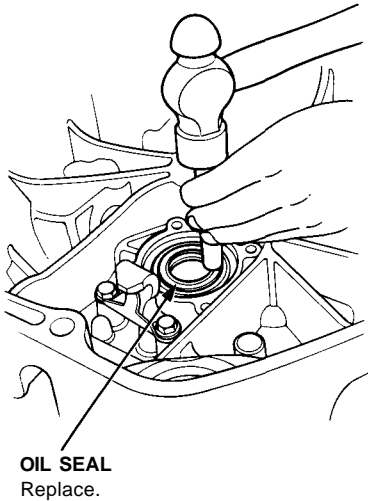
Mainshaft Oil Seal (Clutch Housing)

Replacement

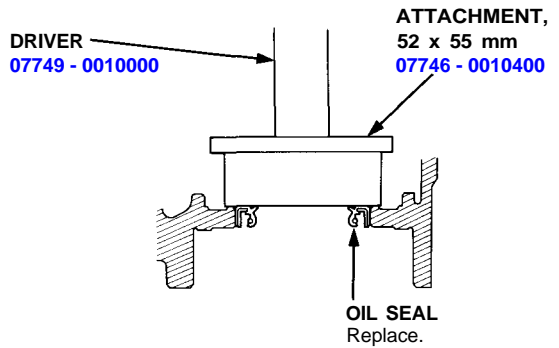
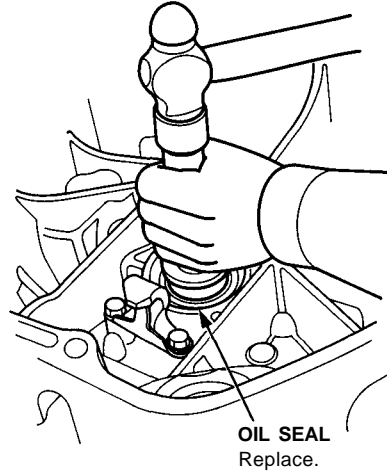
1. Remove the release bearing guide cover and release bearing guide.



2. Remove the oil seal.



3. Drive a new oil seal from the clutch side using the special tools as shown.



4. Install the release bearing guide and release bearing guide cover.

