

# Clutch Disc, Clutch Plate

## Replacement

NOTE: The clutch discs and clutch plates should be replaced as a set.

1. Remove the clutch discs and clutch plates (see page 15-20).
2. Soak the clutch discs for five minutes in transmission oil.
3. Install the clutch discs, clutch plates, and a standard shim.

NOTE: Position the 112 mm thrust Shim with the thickness size mark facing away from the clutch discs.

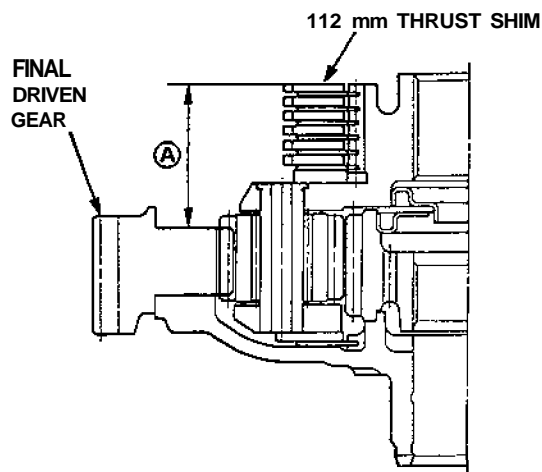
### 112 mm THRUST SHIM

○ Standard shim

	Part Number	Thickness
A	41261-PR8-000	1.2 mm (0.0472 in)
B	41262-PR8-000	1.4 mm (0.0551 in)
C	41263-PR8-000	1.6 mm [0.0630 in]
D	41264-PR8-000	1.8 mm (0.0709 in)
E	41265-PR8-000	2.0 mm (0.0787 in)
F	41266-PR 8-000	2.2 mm (0,0866 in)
G	41267-PR8-000	2.4 mm (0,0945 in)
Ⓗ	41268-PR8-000	2.6 mm (0.1024 in)
I	41269-PR8-000	2.8 mm (0.1102 in)
J	41270-PR8-000	3.0 mm (0.1181 in)

<Reference>

Measure Ⓐ: 41.7– 41.9 mm  
(1.642–1.650In)



4. Install the differential housing.

NOTE: Tighten the bolts evenly in several steps, then torque them in a crisscross pattern.

Torque: 40 N·m (4.0 kg·m. 29 lb·ft)

5. Make sure the preset torque is within the standard (see page 15-18)
6. If preset torque is beyond the standard, replace the 112 mm thrust shim as necessary.