

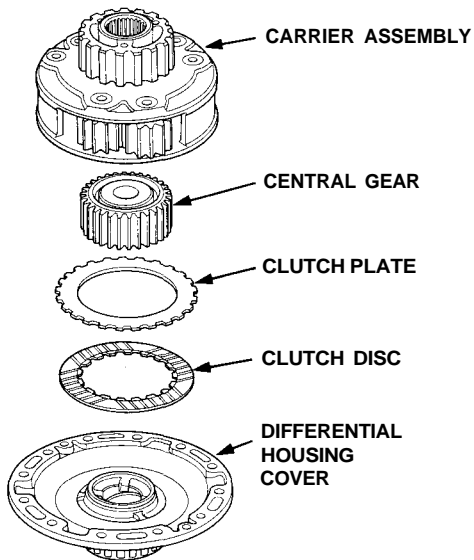


Differential

Reassembly

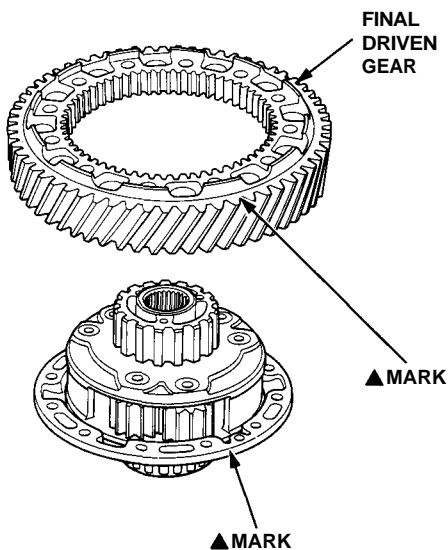
1. Install the clutch disc, clutch plate, central gear, and carrier assembly.

NOTE: Lubricate the clutch disc surface with transmission fluid.



2. Install the final driven gear.

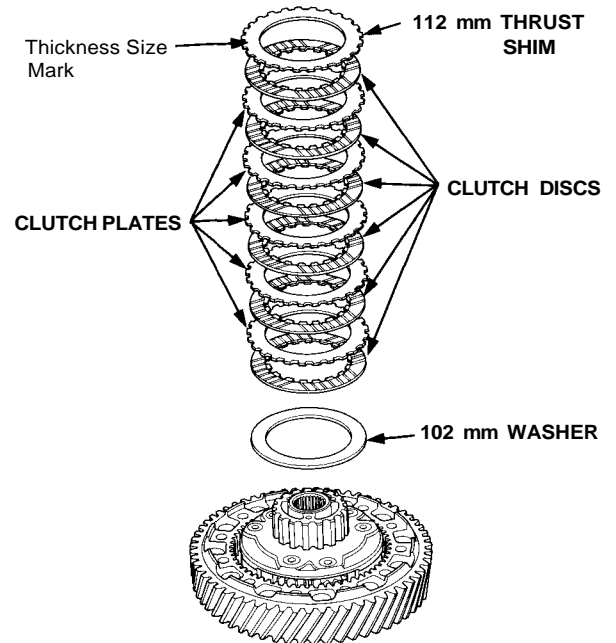
NOTE: Align the mark on the differential housing cover with the mark on the final driven gear.



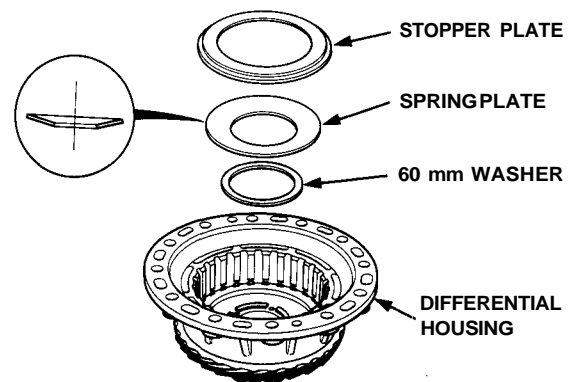
3. Install the 102 mm washer, clutch discs, clutch plates, and 112 mm thrust shim.

NOTE:

- Lubricate the clutch discs with transmission fluid.
- Position the 112 mm thrust shim with the thickness size mark facing away from the clutch discs.



4. Install the 60 mm washer, spring plate, and stopper plate.

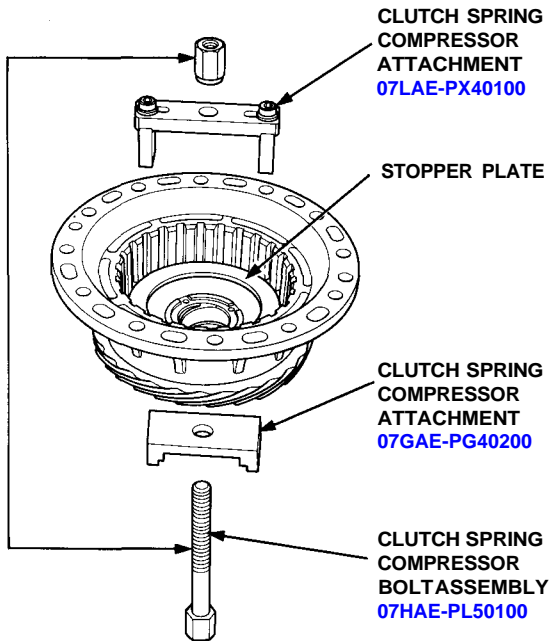


(cont'd)

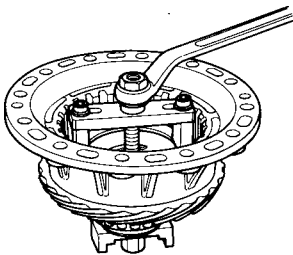
Differential

Reassembly (cont'd)

5. Install the special tools on the stopper plate as shown.

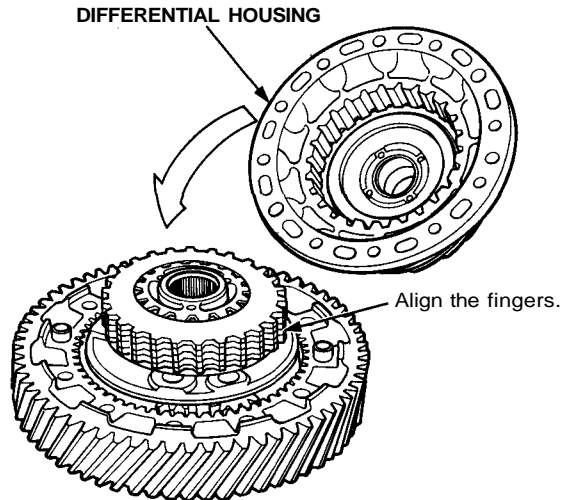


6. Compress the spring plate, then install the stopper clip.

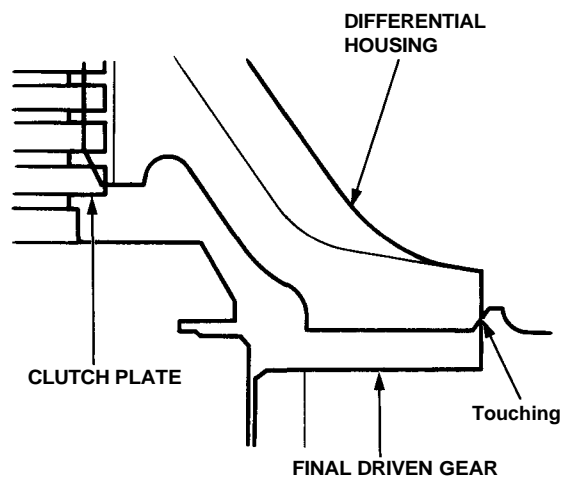


7. Install the differential housing.

NOTE: Align the fingers of the clutch plates and clutch discs.



8. Make sure the differential housing touches the final driven gear.





9. Hold the differential in a bench vise using a special tool, then install the differential housing mounting bolts.

NOTE: Tighten the bolts in a crisscross pattern in several steps.

