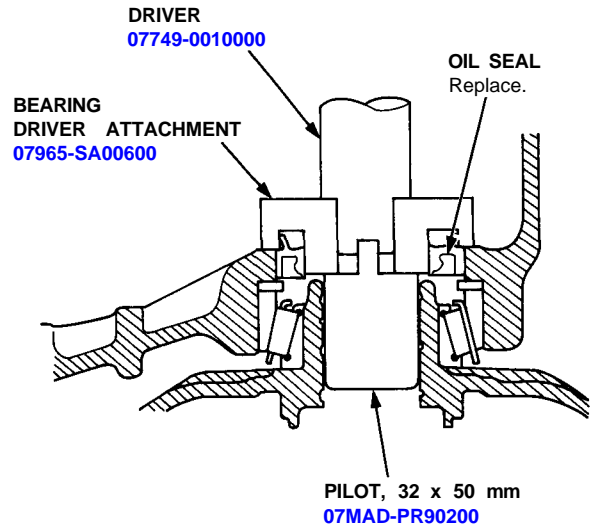


Oil Seal

Installation

1. Install the oil seal into the transmission housing using the special tools as shown.



2. Install the oil seal into the torque converter housing using the special tools as shown.

