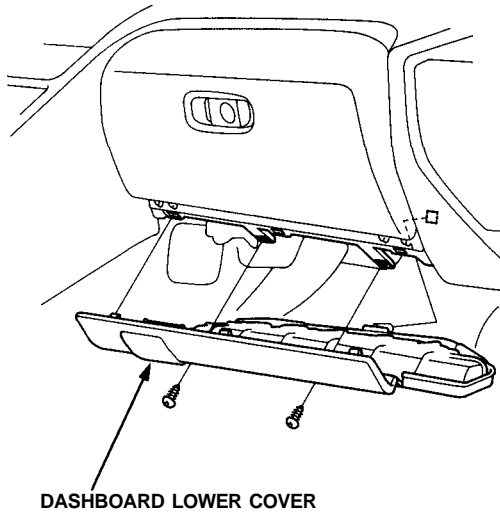


EPS Control Unit

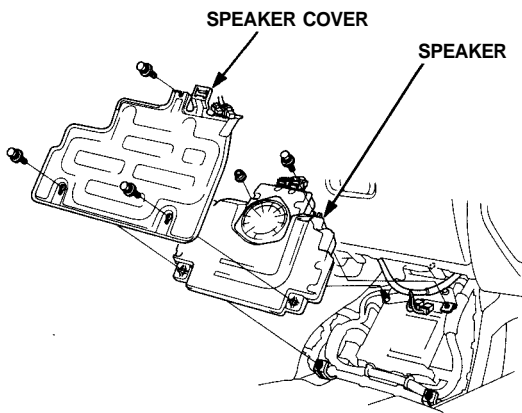
Replacement

SRS components are located in this area. Review the SRS component locations, precautions, and procedures in the SRS [section 24](#) before performing repairs or service.

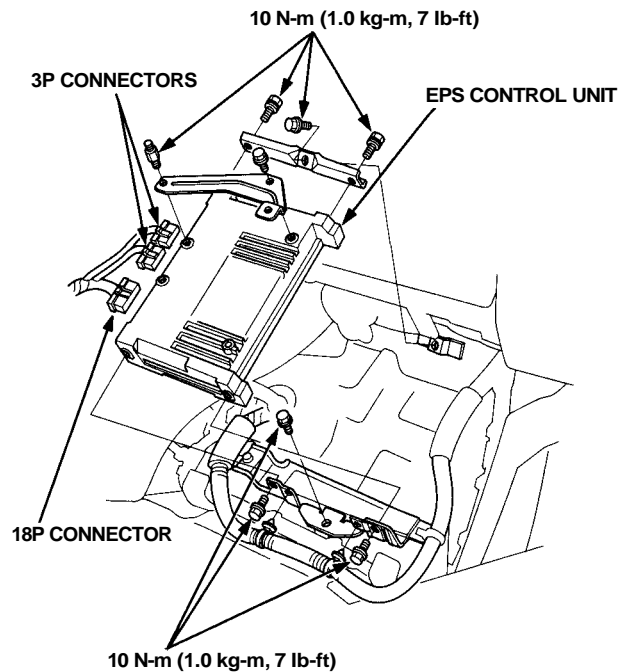
1. Remove the dashboard lower cover.



2. Turn up the floor mat, and remove the speaker cover and speaker.



3. Disconnect the connectors from the EPS control unit, then remove it.



4. Installation is the reverse of removal procedure.

NOTE: After installation, start the engine and make sure that the EPS indicator light goes off.