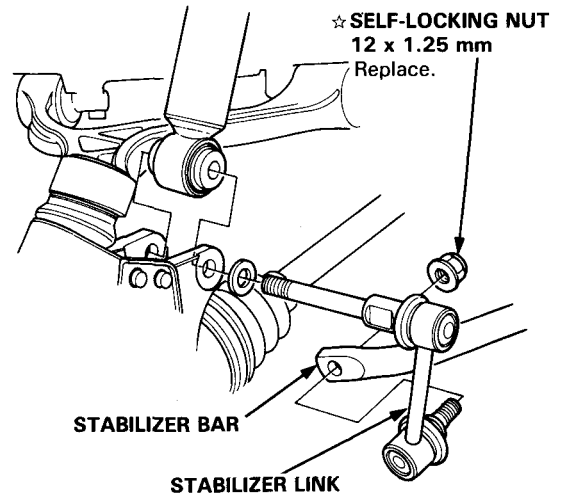


Rear Damper

Installation

1. Reposition the damper assembly between the frame and knuckle.
2. Install the stabilizer link and connect the stabilizer bar.
3. Loosely install a new self-locking nut.

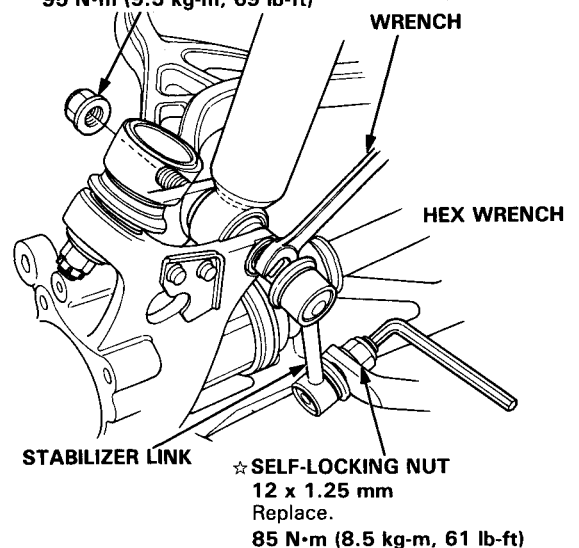


☆: Corrosion resistant bolt/nut

4. Hold the ball pin of the stabilizer link with a hex wrench, then tighten the self-locking nut.
5. Loosely install a new damper mounting nut.

NOTE: The damper mounting nuts should be tightened with the damper under vehicle load.

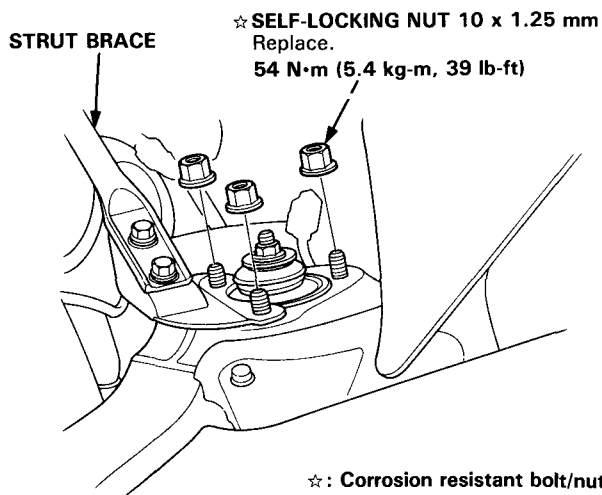
☆ **DAMPER MOUNTING NUT**
12 x 1.25 mm
Replace.
95 N·m (9.5 kg·m, 69 lb·ft)



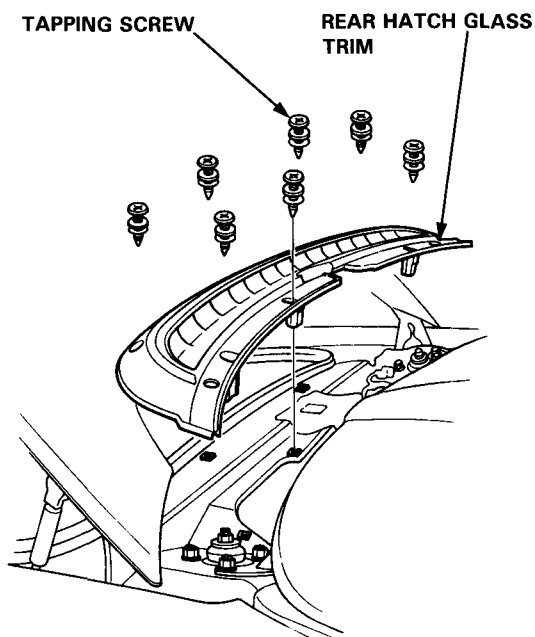
☆: Corrosion resistant bolt/nut



6. Install the new self-locking nuts on the top of the damper assembly.



7. Tighten the damper mounting nut to the specified torque.
8. Secure the damper assembly to the frame with the self-locking nuts.
9. Install the strut brace.
10. Install the rear hatch glass trim.



11. Install the engine cover support rod onto the strut brace.
12. Install the rear wheels.