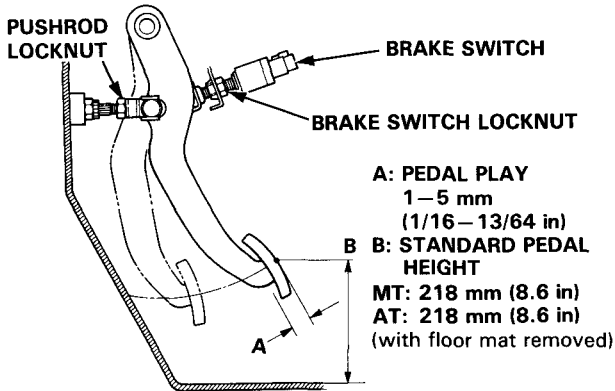


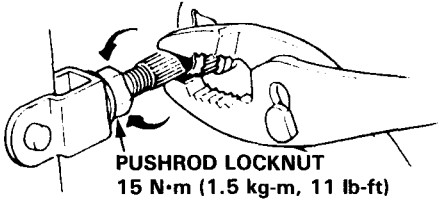
Pedal Height

Adjustment

1. Loosen the brake switch locknut, and back off the brake switch until it is no longer touching the brake pedal.

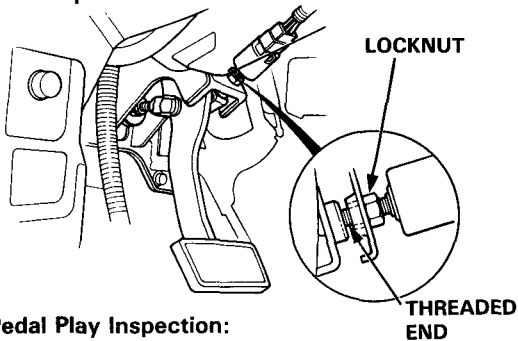


2. Loosen the pushrod locknut, and screw the pushrod in or out with pliers until the standard pedal height from the floor is 218 mm (8.6 in). After adjustment, tighten the locknut firmly.



3. Screw in the brake switch until its plunger is fully depressed (threaded end touching the pad on the pedal arm). Then back off the switch 1/2 turn, and tighten the locknut firmly.

CAUTION: Check that the brake lights go off when the pedal is released.



Brake Pedal Play Inspection:

Stop the engine, and inspect the play by pushing the pedal by hand.

Brake Pedal Play: 1–5 mm (1/16–13/64 in)

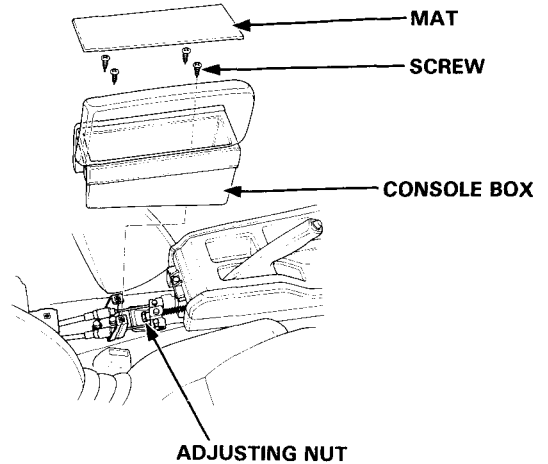
NOTE: Do not adjust the pedal height with the pushrod depressed.

CAUTION: If the pedal free play is insufficient, it may result in brake drag.

Parking Brake

Adjustment

1. Remove the console mat, the four screws and the console box.

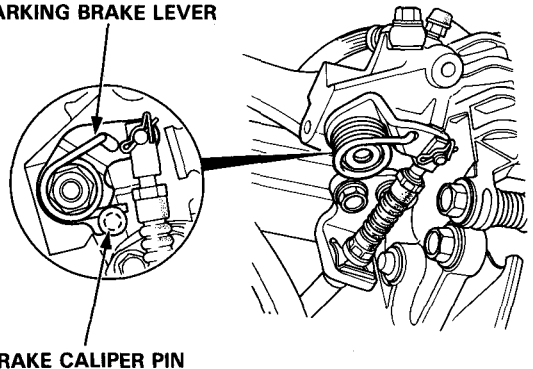


NOTE: After rear brake caliper servicing, loosen the parking brake adjusting nut, start the engine, and depress the brake pedal several times to set the self-adjusting brakes before adjusting the brake pedal.

WARNING Block the front wheels before jacking up each side of the car.

2. Raise the rear wheels off the ground.
3. Make sure the lever of the rear brake caliper contacts the brake caliper pin.
4. Pull the parking brake lever up one notch.
5. Tighten the adjusting nut until the rear wheels drag slightly when turned.
6. Release the parking lever, and check that the rear wheels do not drag when turned. Readjust if necessary.
7. With the equalizer properly adjusted, the rear brakes should be fully applied when the parking brake lever is pulled up 10 to 14 clicks.

PARKING BRAKE LEVER



BRAKE CALIPER PIN