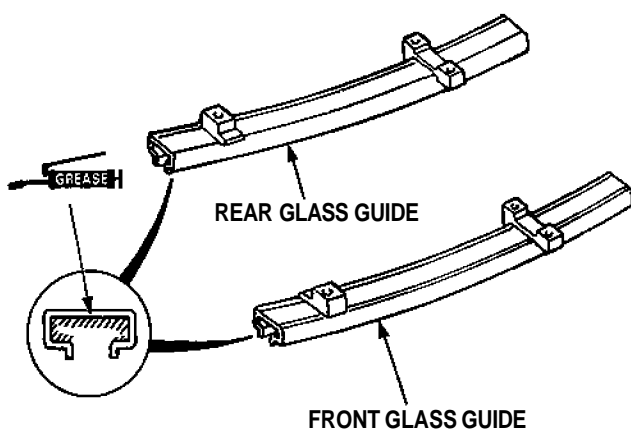
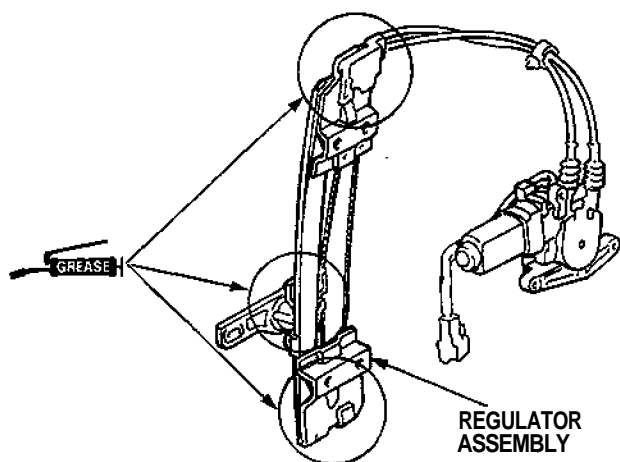




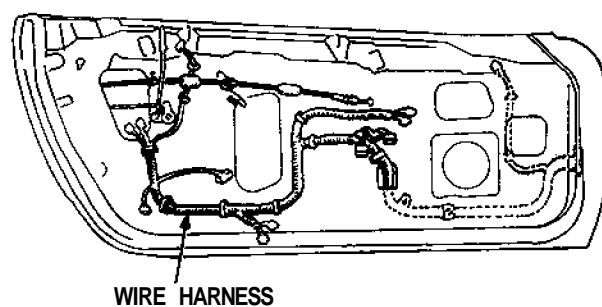
Assembly

Assemble the door in the reverse order of disassembly, and also:

1. Grease all the sliding surfaces of the regulator assembly and the glass guides where shown.

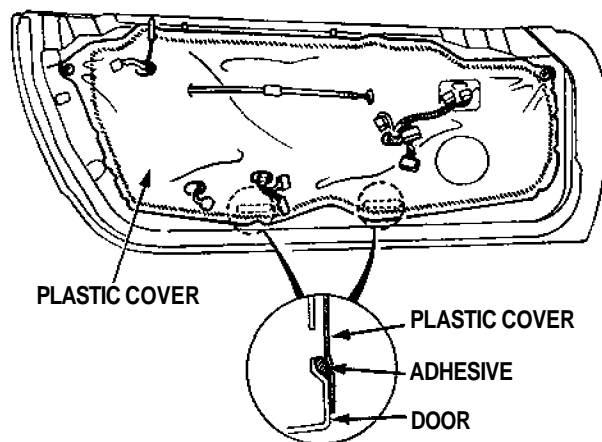


2. Roll the glass up and down to see if it moves freely without binding. Also make sure that there is no clearance between the glass and upper weatherstrip when the glass is closed. Adjust the position of the glass as necessary (see pages 20-14 to 18('93-'96) 20-13 to 17('91-'92)
3. Attach the wire harnesses correctly on the door.



NOTE: Make sure the wire harnesses are not pinched.

4. When reinstalling the plastic cover, apply adhesive along the edge where necessary to maintain a continuous seal and prevent water leaks.



NOTE: Do not fill these openings with adhesive.