

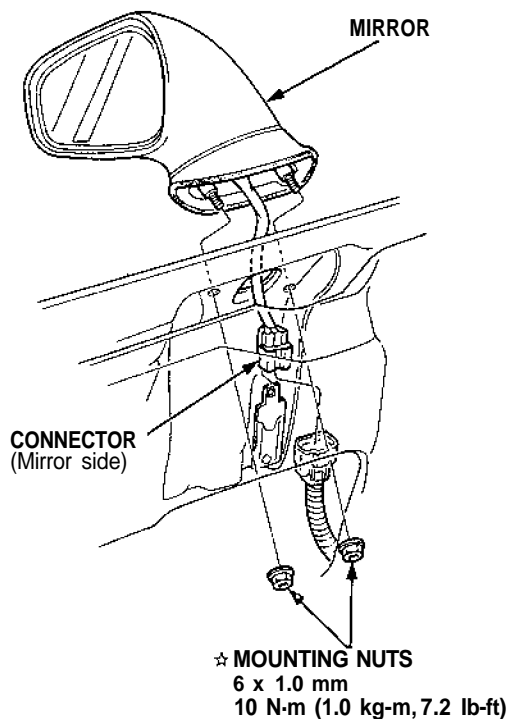
Mirror

Removal

NOTE: Raise the glass fully.

1. Remove the door panel, and carefully remove the plastic cover (see pages 20-7('93-'96), 6('91-'92), 8('93-'96), 7('91-'92)).
2. Disconnect the connector.
3. Remove the mounting nuts from the hole in the door while holding the mirror.

NOTE: Do not drop the mounting nuts inside the door.



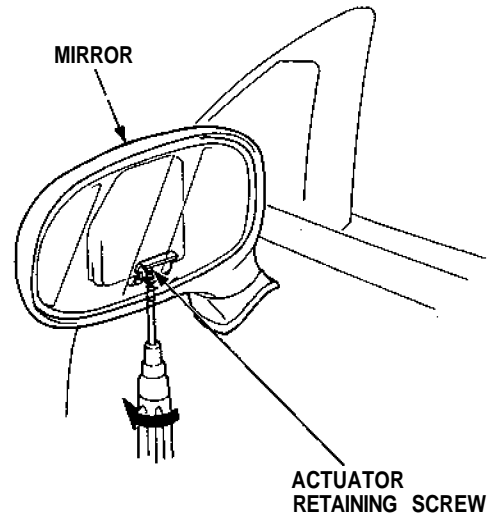
4. Installation is the reverse of the removal procedure.
5. Check for water leaks.

NOTE: Do not use high-pressure water.

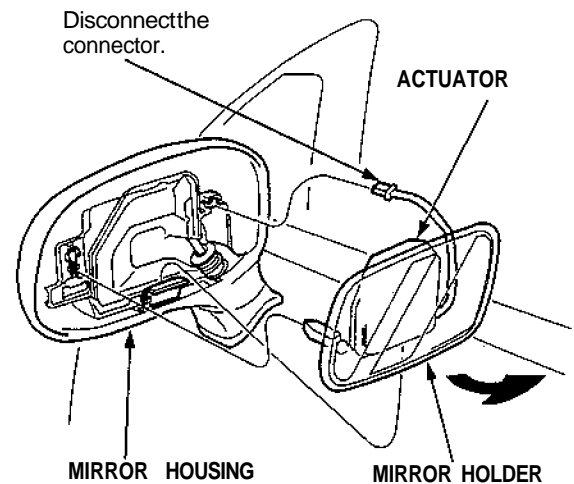
☆: CORROSION RESISTANT NUT

Mirror Holder Replacement

1. Insert a Phillips screwdriver in the door mirror through the service hole, then loosen the actuator retaining screw.



2. Pull the mirror holder out of the mirror housing.



3. Remove the actuator (see [section 23](#)).
4. Installation is the reverse of the removal procedure.