



Inspection

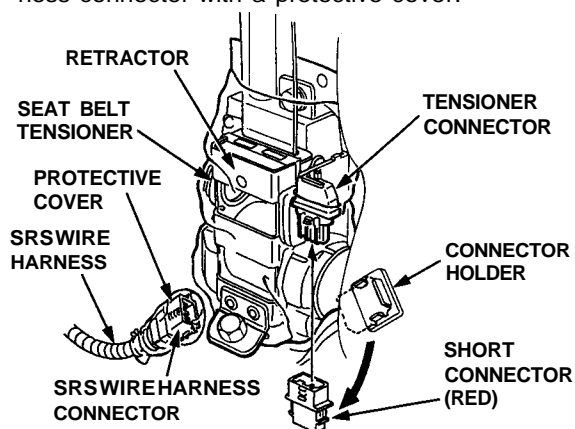
SRS wire harnesses are routed near the retractor.

⚠ WARNING All SRS wire harnesses and connectors are colored yellow. Do not use electrical test equipment on these circuits.

CAUTION:

- Be careful not to damage the SRS wire harnesses when servicing the retractor.
- Remove the short connector (RED) from its holder and disconnect the SRS wire harness connector, then connect the short connector (RED) to the tensioner connector.

NOTE: To keep out dust, wrap the SRS wire harness connector with a protective cover.



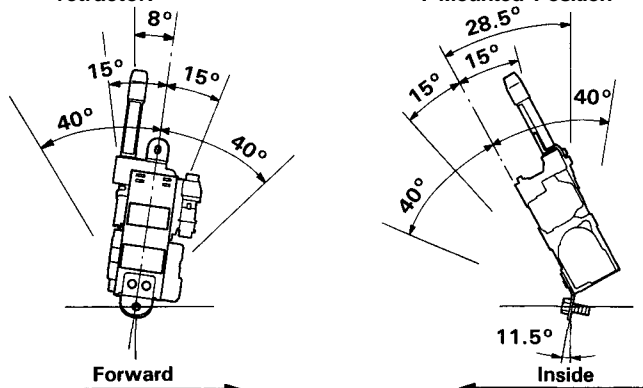
Retractor Inspection

CAUTION: When checking the retractor, do not touch the seat belt tensioner.

1. Before installing the retractor, check that the seat belt can be pulled out freely.
2. Make sure that the seat belt does not lock when the retractor is leaned slowly up to 15° from the mounted position. The seat belt should lock when the retractor is leaned over 40°.

CAUTION: Do not attempt to disassemble the retractor. *

*: Mounted Position



3. Replace the seat belt with a new one if there is any abnormality.

On-the-Car Seat Belt Inspection

1. Check that the seat belt is not twisted or caught on anything.
2. After installing an anchor, check for free movement on its retaining bolt. If necessary, remove the bolt and check that the washers and other parts are not damaged or improperly installed.
3. Check the seat belts for damage or discoloration. Clean with a shop towel if necessary.

CAUTION: Use only soap and water to clean.

NOTE: Dirt built-up in the metal loops of the seat belt anchors can cause the seat belts to retract slowly. Wipe the inside of the loops with a clean cloth dampened in isopropyl alcohol.

4. Check that the seat belt does not lock when pulled out slowly. The seat belt is designed to lock only during a sudden stop or impact.
5. Make sure that the seat belt will retract automatically when released.
6. Replace the seat belt with a new one if there is any abnormality.