



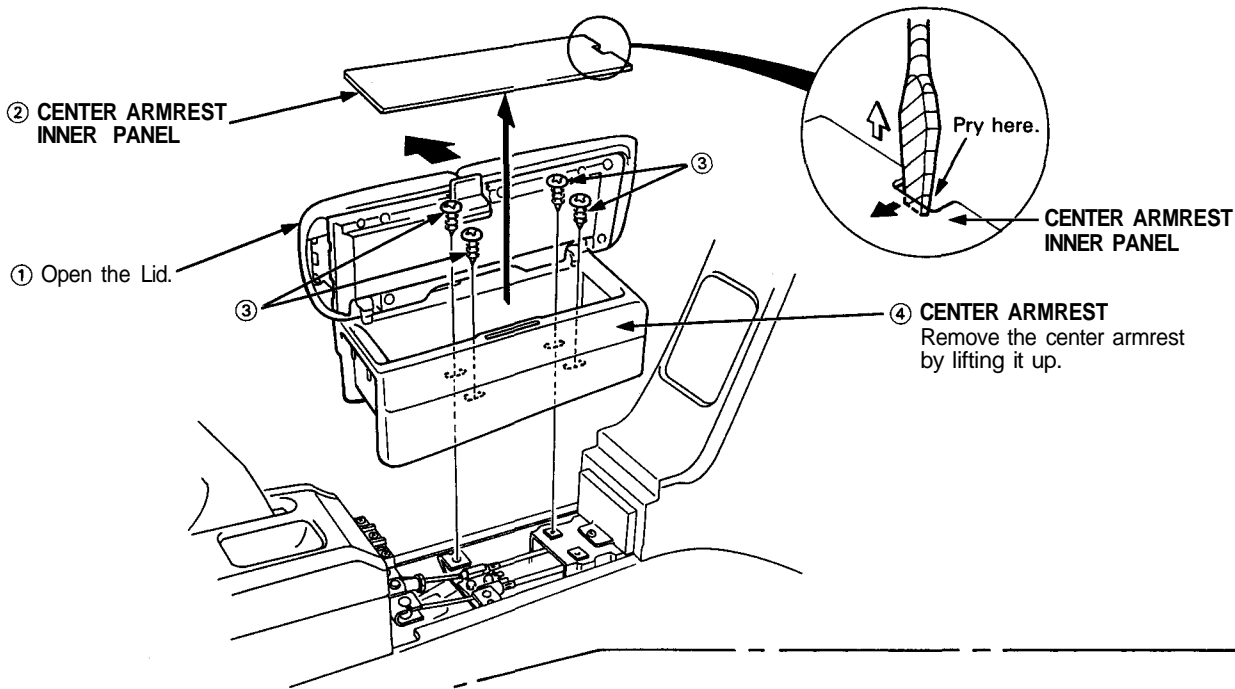
Center Armrest

Replacement

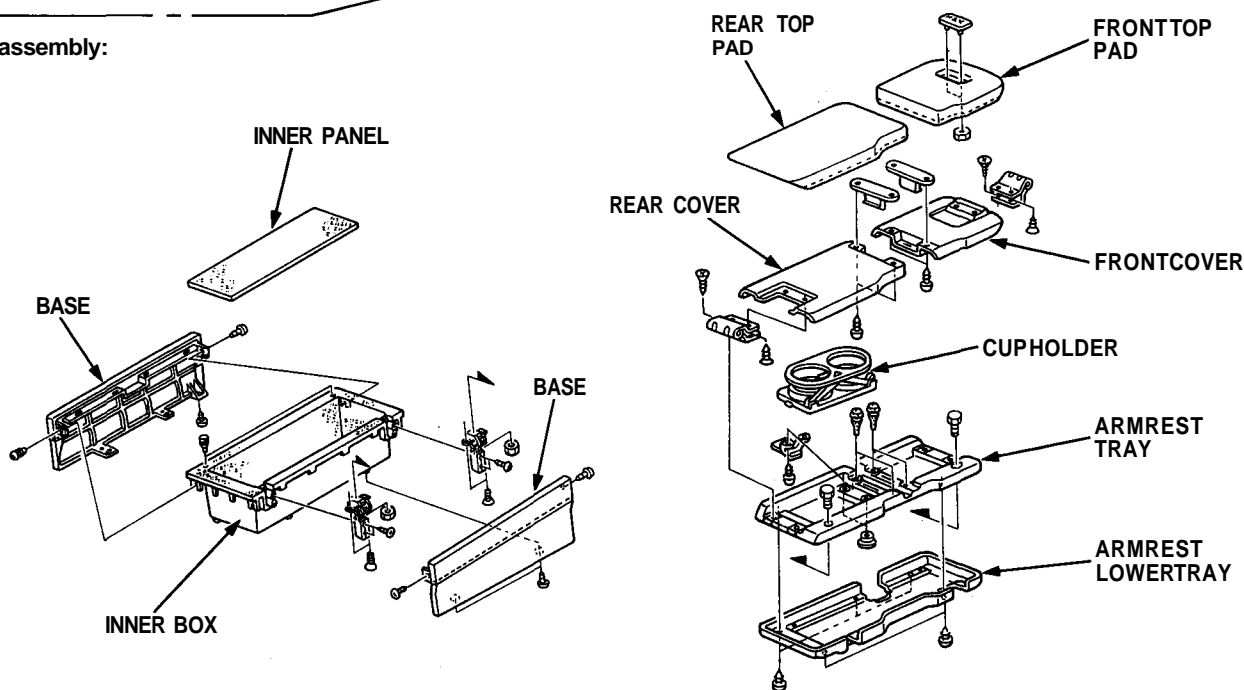
CAUTION: When removing the center armrest inner panel, wrap the flat tip screwdriver with protective tape or a shop towel to prevent damage.

NOTE: Take care not to scratch the center armrest, dashboard and rear center trim panel.

Disassemble in numbered sequence.



Disassembly:



Installation is the reverse of the removal procedure.