

Side Air Scoop/Side Sill Panel/Side Step Panel

Replacement

CAUTION: When prying with a flat tip screwdriver, wrap it with protective tape or a shop towel to prevent damage.

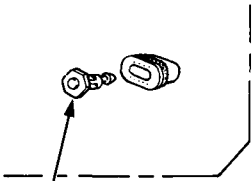
NOTE:

- Take care not to scratch the body and related parts.
- Do not drop the special mounting nuts inside the body.

Disassemble in numbered sequence.

► : Clip location

○ : Special bolt locations

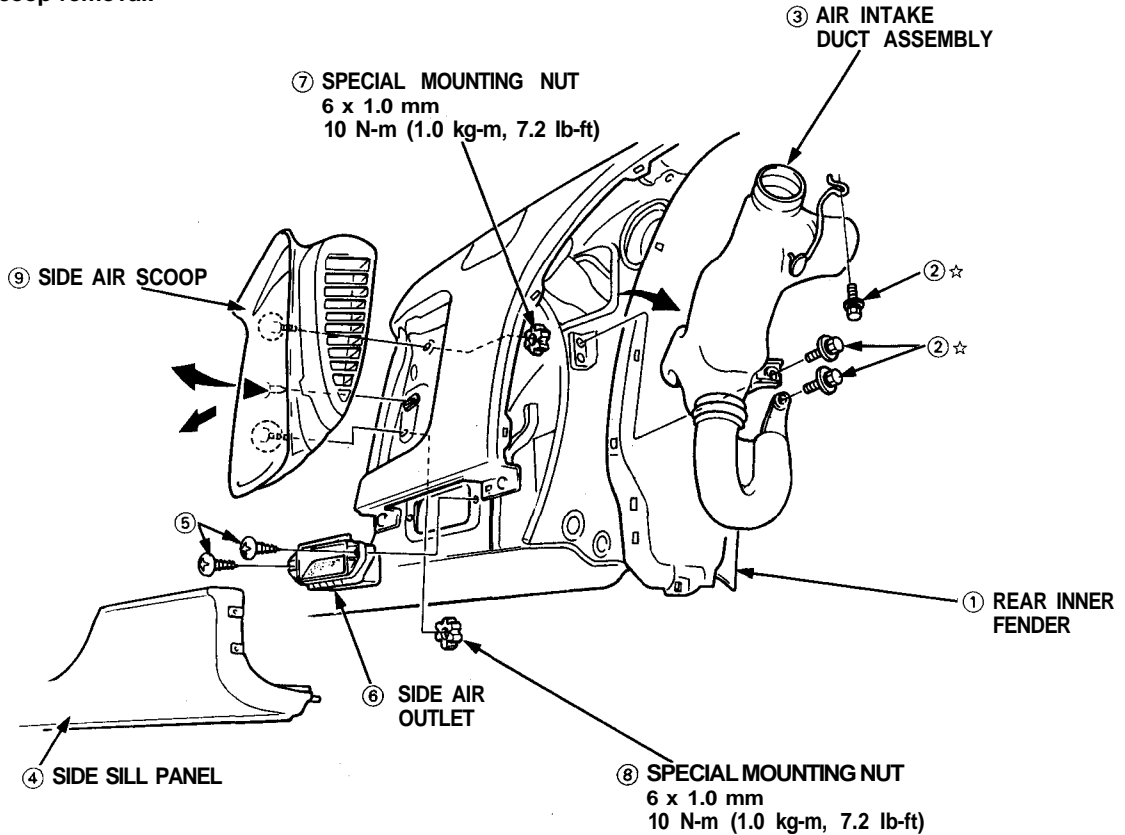


INSIDE CLIP (1)



SPECIAL BOLT (2)

Side air scoop removal:



☆: CORROSION RESISTANT BOLT

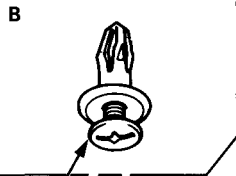
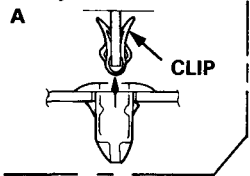


NOTE:

- Take care not to twist the side sill panel.
- Take care not to scratch the body and related parts.

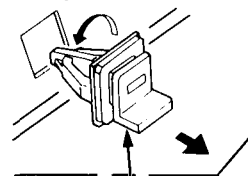
Disassemble in numbered sequence.

▶: Clip locations

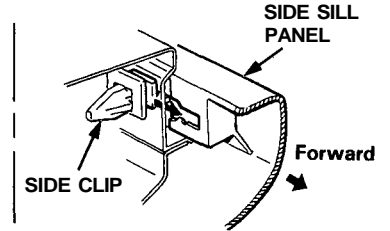


NOTE: Loosen the screw, then remove the clip using a clip remover.

○: Clip locations

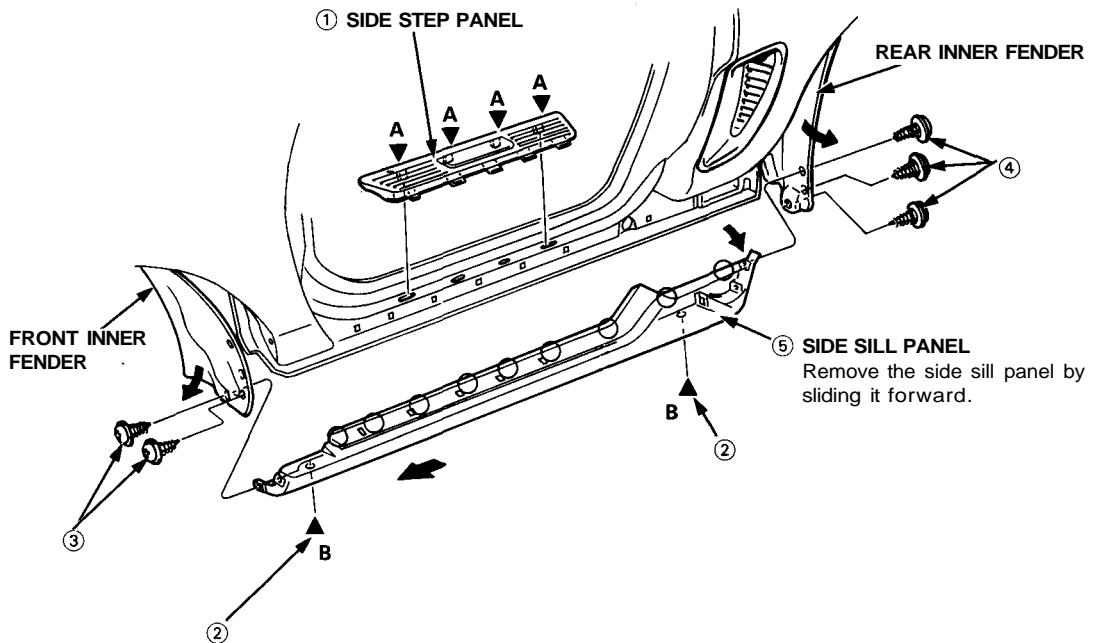


SIDE CLIP (9)
Remove the clips by turning them 45°.



NOTE: When removing the side sill panel, the clips will stay in the body.

Side sill panel and side step panel removal:



To install the side sill panel, remove the clips from the body, install them on the panel, then install the panel on the car.

NOTE: If necessary, replace any damaged clips.