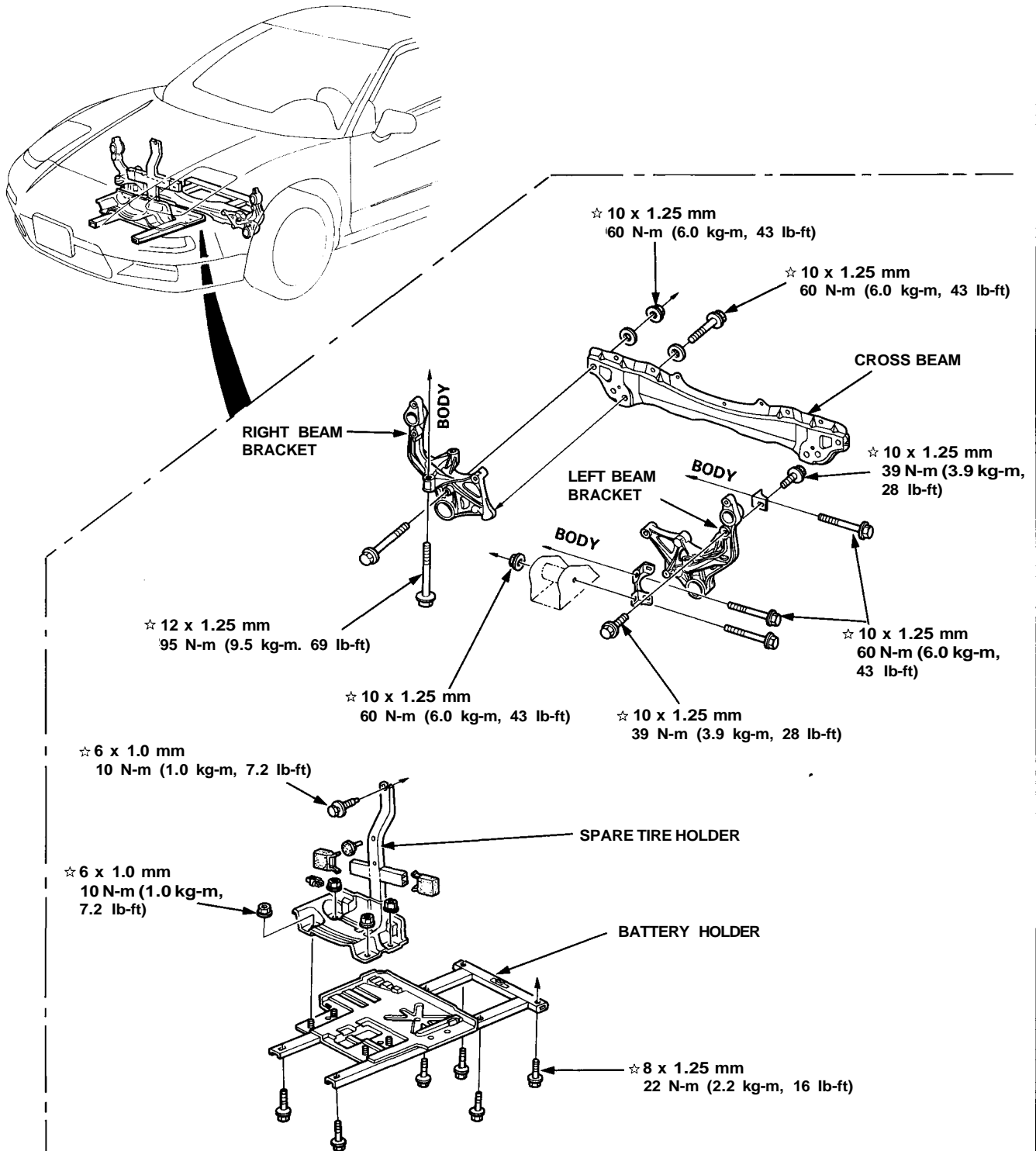


# Front Sub-frame/Battery, Spare Tire Holder

Sub-frame torque value specifications:



☆: CORROSION RESISTANT BOLT/NUT