



Engine Cover/Roof Cover

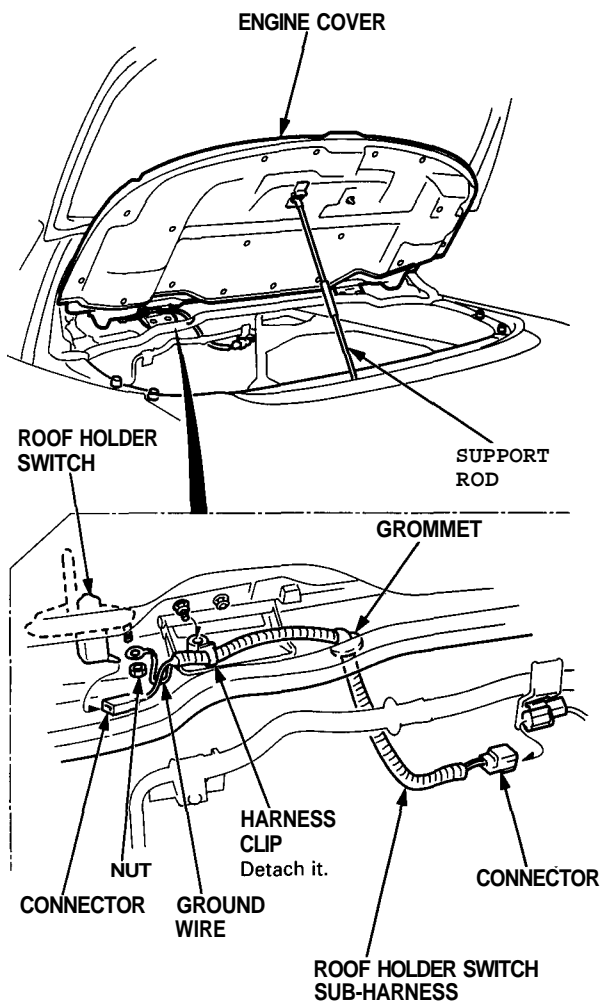
Removal

NOTE:

- Take care not to scratch the body.
- Open the rear hatch.

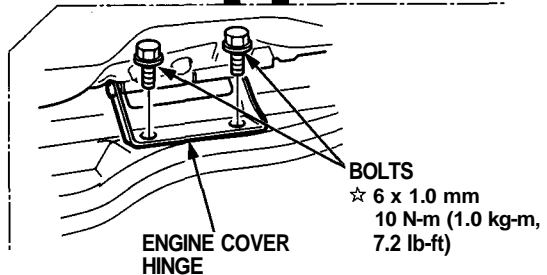
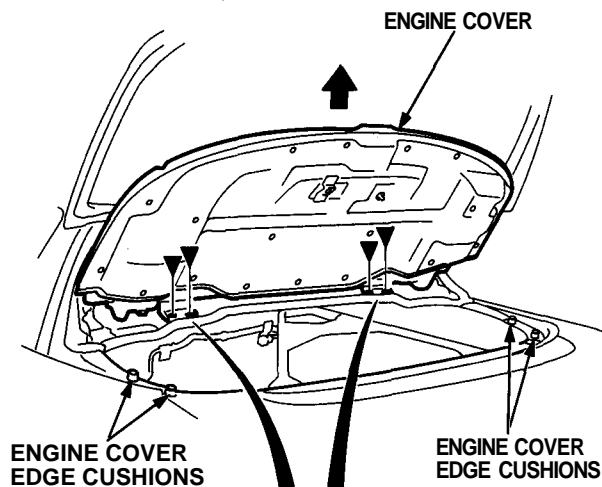
1. Open the engine cover, and support it with the support rod. Disconnect the roof holder switch connector, remove the nut, then remove the ground wire.

NOTE: If necessary, remove the roof switch sub-harness.



2. Remove the support rod from the engine cover. Remove the bolts, then remove the engine cover.

► Bolt locations, 4



☆: CORROSION RESISTANT BOLT

3. Installation is the reverse of the removal procedure.

NOTE:

- Make sure the roof holder switch connector is connected properly.
- If necessary, turn the engine cover edge cushions to make the engine cover fit flush with the body.