

Engine Cover/Roof Cover

Replacement

NOTE:

- Take care not to scratch the body.
- Open the rear hatch.

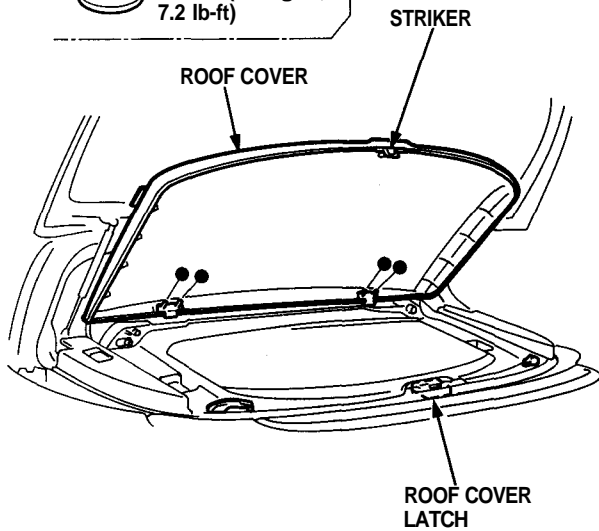
Roof cover (Engine cover) removal:

1. Open the roof cover, remove the nuts, then remove the roof cover.

●: Nut locations, 4



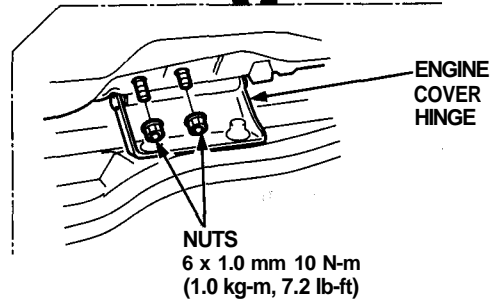
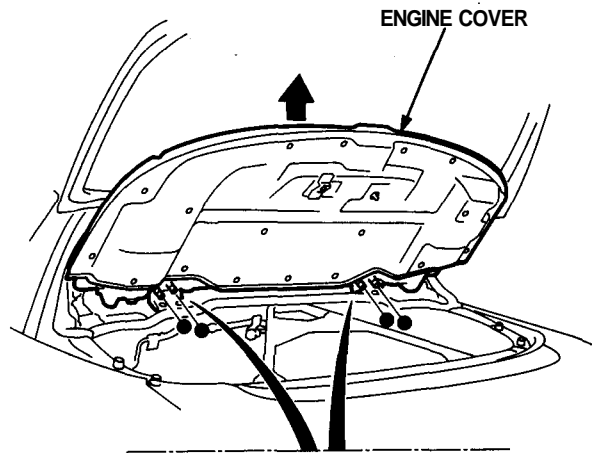
6 x 1.0 mm
10 N-m (1.0 kg-m,
7.2 lb-ft)



NOTE: After installing the roof cover, adjust the roof cover latch by using shims to make the roof cover lock securely (see page 20-113).

2. If removing the engine cover, remove the ground wire, disconnect the roof holder switch connector, then detach the harness clip from the left side (see page 20-111). Remove the nuts, then remove the engine cover.

●: Nut locations, 4



3. Installation is the reverse of the removal procedure.

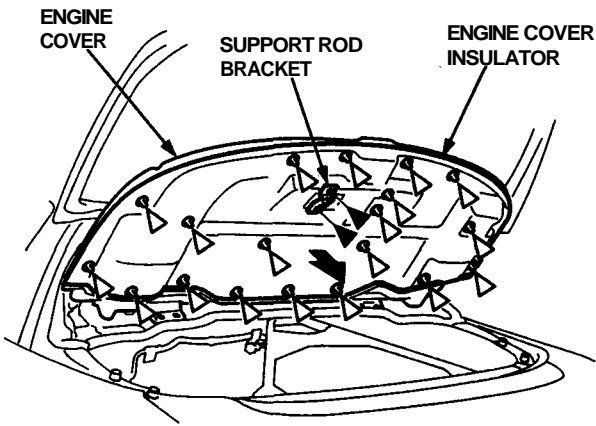
NOTE: Make sure the roof cover opens properly and locks securely.



Opener/Latch/Opener cable/Hook stop/Roof stop bracket removal:

1. Open the engine cover. Remove the screws, then remove the support rod bracket. Remove the push nuts, then remove the engine cover insulator.

►: Screw locations, 2 ▷: Push nut locations, 19

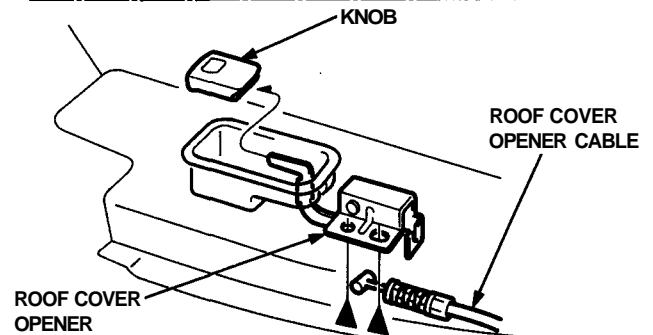
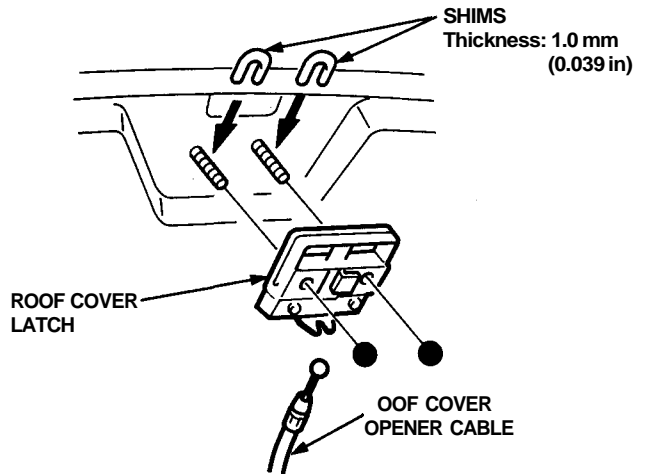
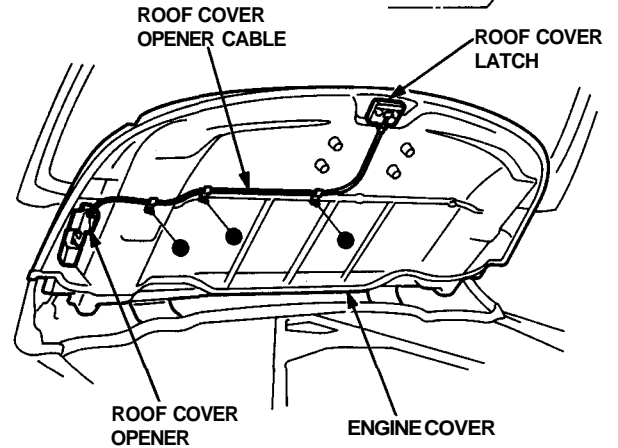
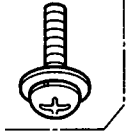
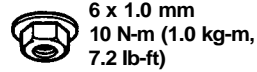


2. Remove the roof cover latch, roof cover opener and roof cover opener cable from the engine cover.

NOTE: Take care not to bend the roof cover opener cable.

●: Nut locations, 5

►: Screw locations, 2

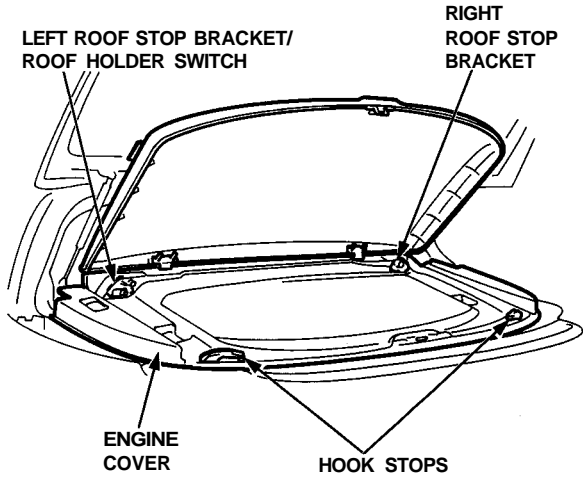


(cont'd)

Engine Cover/Roof Cover

Replacement (cont'd)

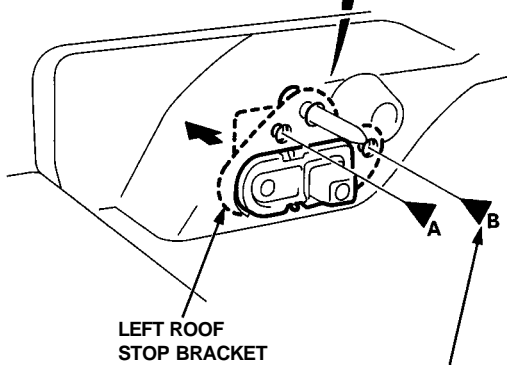
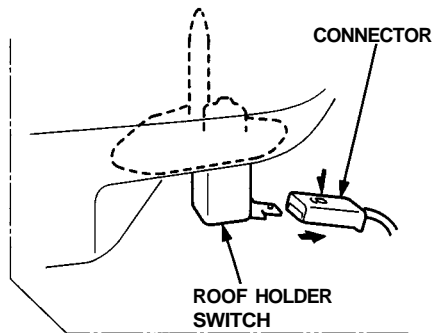
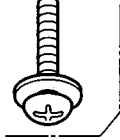
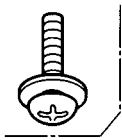
3. Remove the roof stop brackets and hook stops from the engine cover.



►: Screw locations

A ►, 3 Left, 1 Right, 2

B ►, 1 Left only.

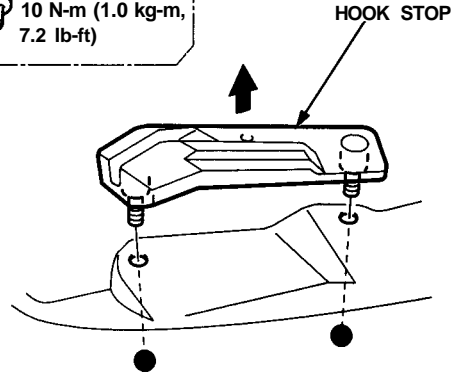


This screw on the right roof stop bracket is screw A.

●: Nut locations, 4



6 x 1.0 mm
10 N-m (1.0 kg-m,
7.2 lb-ft)



4. Installation is the reverse of the removal procedure.

NOTE:

- Make sure the roof cover opens properly and locks securely.
- Make sure the roof fits on the engine cover securely.

