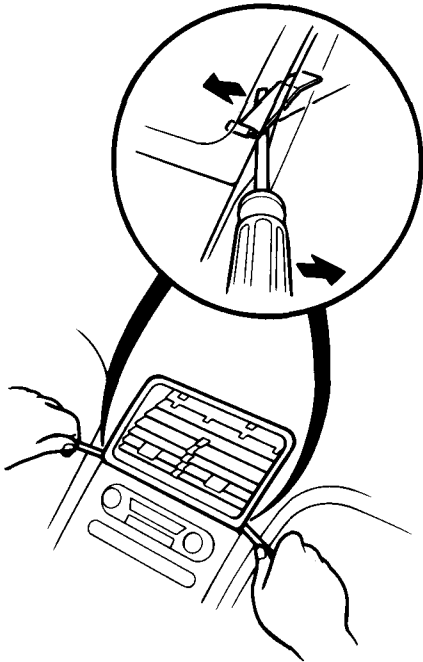


# Climate Control Unit

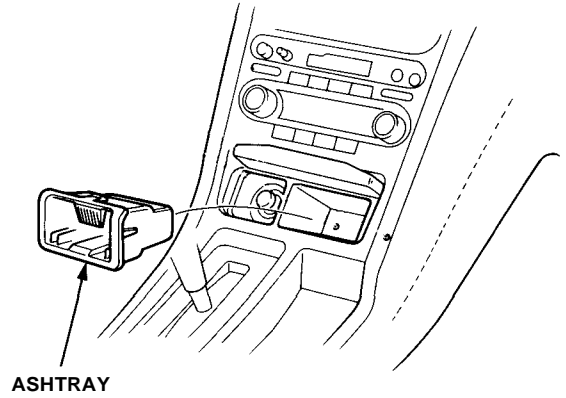
## Replacement

SRS components are located in this area. Review the SRS component locations, precautions, and procedures in the SRS [section 24](#) before performing repairs or service.

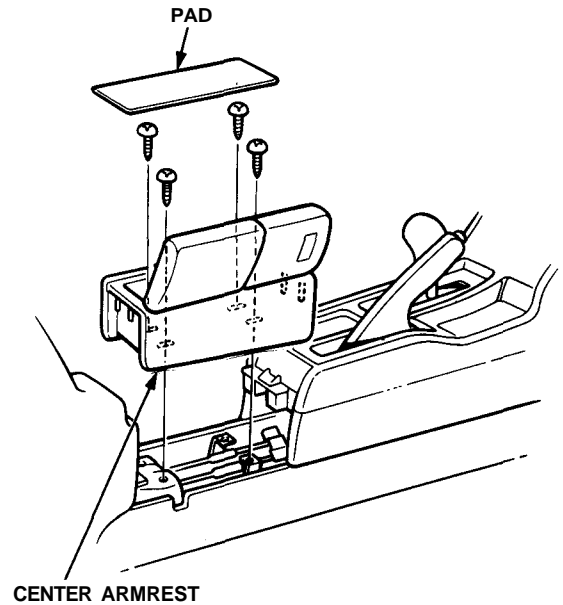
1. Remove the clock (see [section 23](#)).
2. Remove the two screws behind the clock, then remove the center air vent (see [section 20](#)).

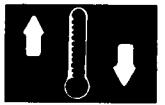


3. Take out the ashtray and remove the two screws from under the ashtray.



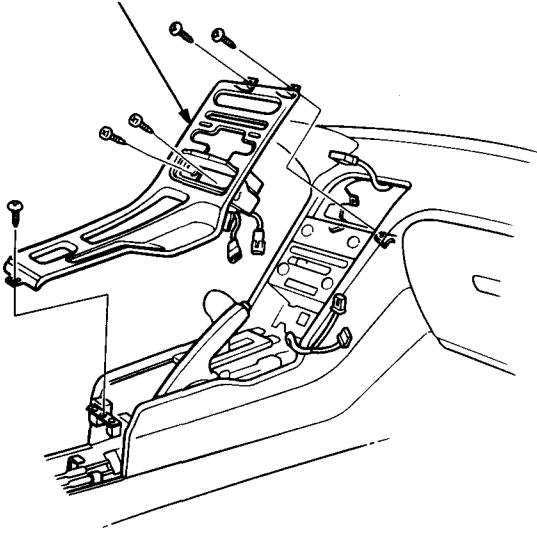
4. Remove the four screws, then remove the center armrest.





5. Remove the three screws and center console panel, then disconnect the 3P connector and 4P connector from the floor wire harness.

**CENTER CONSOLE PANEL**



6. Remove the four screws, then disconnect the 14P and 30P connectors from the floor wire harness. Take out the automatic climate control unit.

