



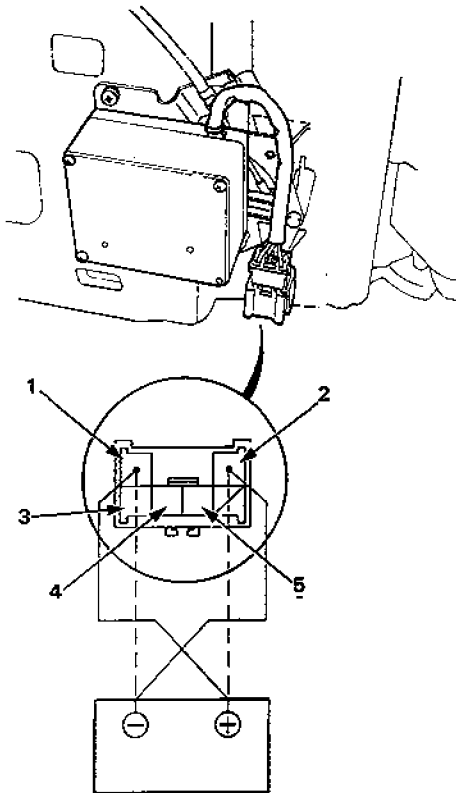
Mode Control Motor

Test

1. Connect battery power to the No. 1 terminal of the air mix control motor, then connect ground to the No. 2 terminal; the air mix control motor should run, and stop at HOT. If it doesn't, reverse the connections; the air mix control motor should run, and stop at COOL.

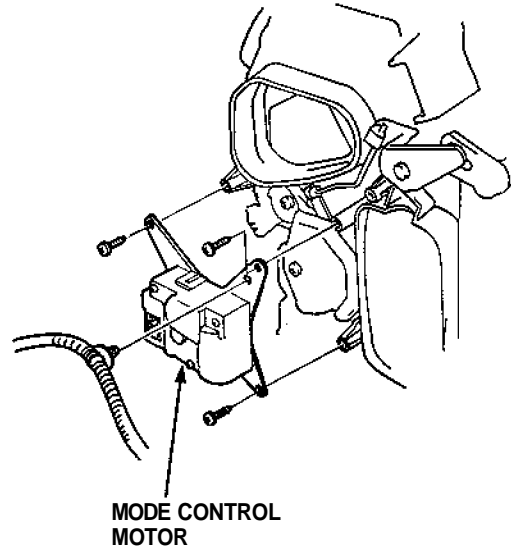
NOTE: If the air mix control motor does not run, remove it, and check the air mix control linkage and doors for smooth movement. If the air mix control linkage and doors move smoothly, replace the air mix control motor.

2. Measure resistance between the No. 3 terminal and No. 5 terminal; it should be approx. 10Ω .
3. • Measure resistance between the No. 3 terminal and No. 4 terminal; it should be approx. $0.6 \text{ k}\Omega$ at COOL and approx. $9.4 \text{ k}\Omega$ at HOT.



Replacement

1. Remove the three screws and mode control motor.



2. Install the mode control motor in the reverse order of removal. Then apply battery voltage (see page [22-58](#)) and watch the doors move.
 - Make sure that the HEAT and DEF doors move smoothly without binding.
 - Make sure the motor doesn't pull the HEAT and DEF doors too far.