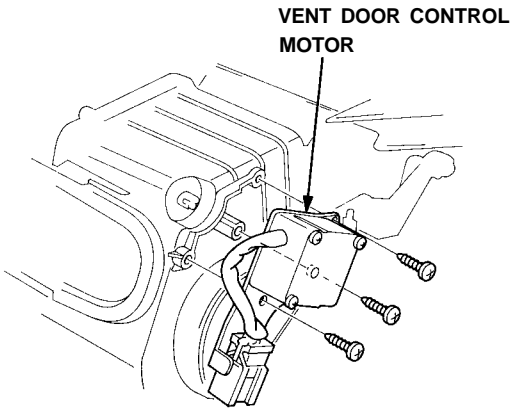


Vent Door Control Motor

Replacement

1. Remove the three screws and vent door control motor.



2. Install the vent door control motor in the reverse order of removal. Then apply battery voltage, and watch the door move.

- Make sure that the vent door moves smoothly without binding.
- Make sure the motor doesn't pull the vent door too far.

Test

1. Connect battery power to the No. 1 terminal of the vent door control motor, then connect ground to the No. 2 terminal; the vent door control motor should run, and stop at CLOSE.

If it doesn't, reverse the connections; the vent door control motor should run, and stop at OPEN.

NOTE: If the vent door control motor does not run, remove it, and check the vent door control linkage and door for smooth movement. If the vent door control linkage and door move smoothly, replace the vent door control motor.

2. Measure resistance between the No. 3 terminal and No. 5 terminal, it should be approx. 10 k Ω .
3. Measure resistance between the No. 3 terminal and No. 4 terminal, it should be approx. 0.6 k Ω at OPEN and approx. 9.4 k Ω at CLOSE.

