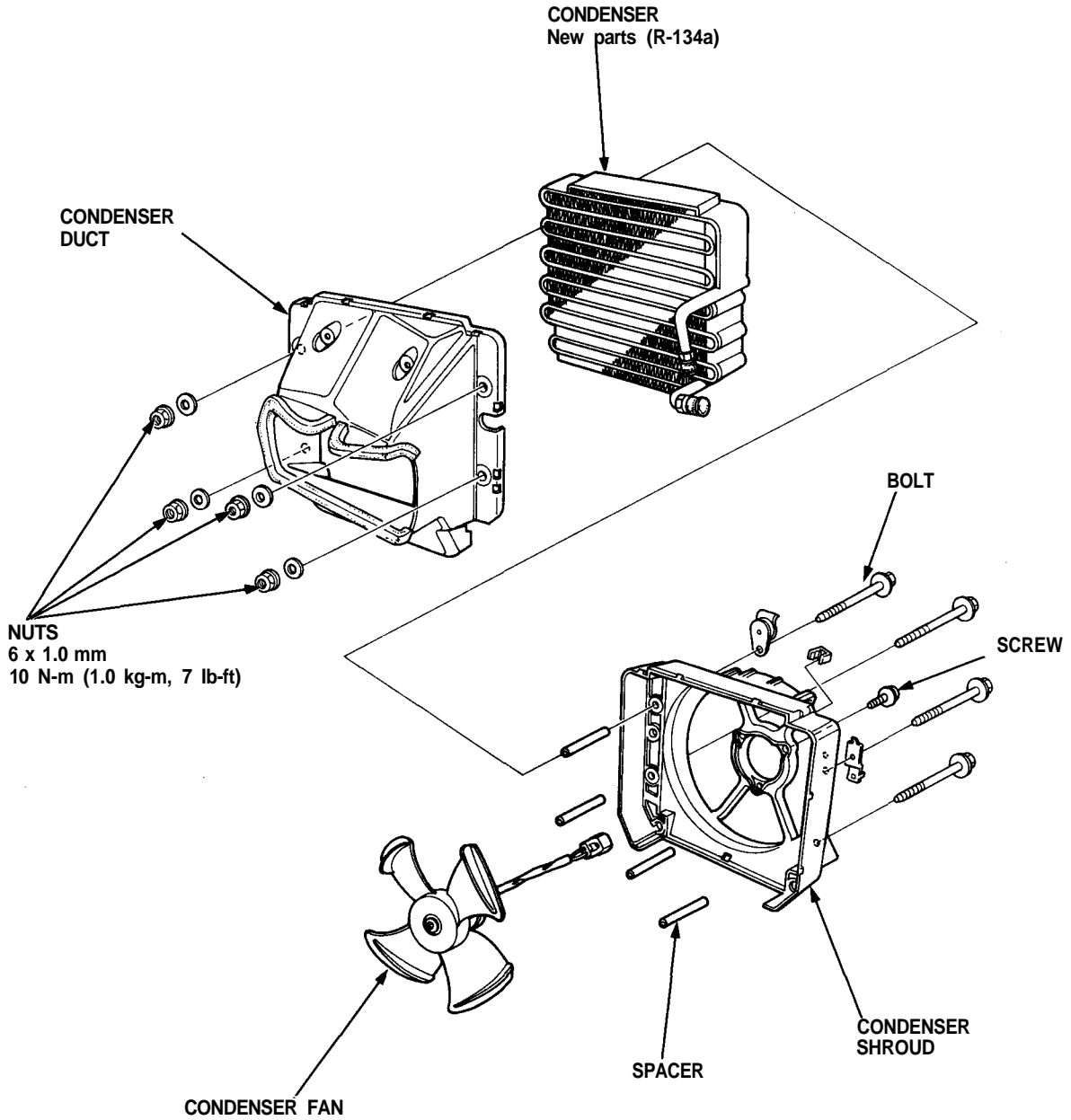


# Condenser

## Overhaul

1. Remove the four bolts and nuts. Then separate the condenser duct from the condenser shroud, and remove the condenser.
2. Remove the three mounting screws, then remove the condenser fan from the condenser shroud.



3. Assemble the condenser in the reverse order of disassembly. Be careful not to damage the tabs on the condenser shroud when you attach it to the air intake duct.