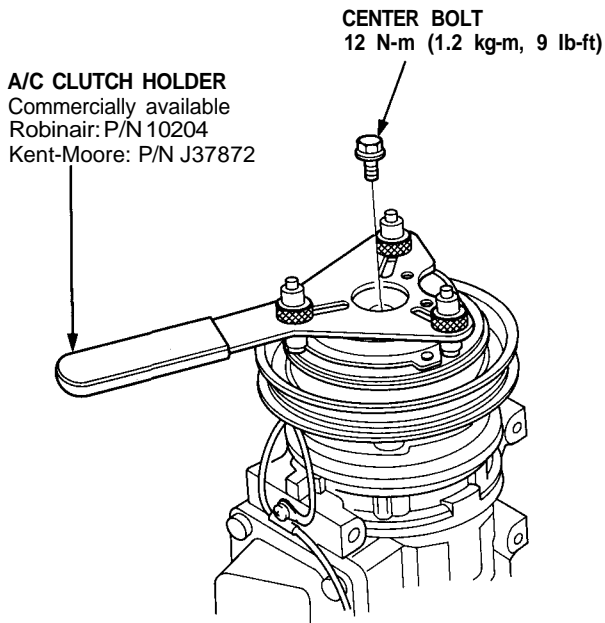


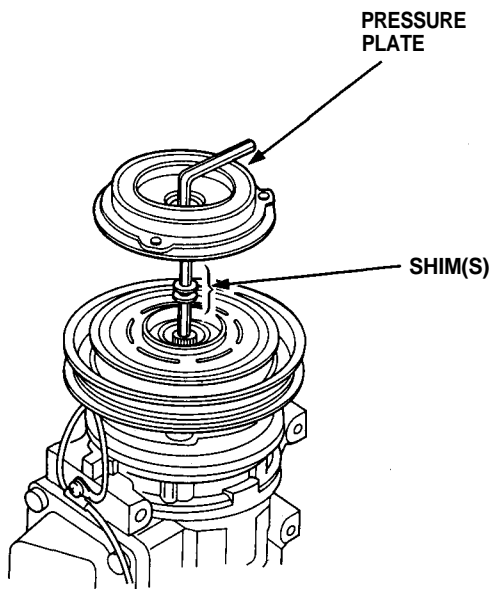
Compressor

Clutch Overhaul

1. Remove the center bolt while holding the pressure plate.



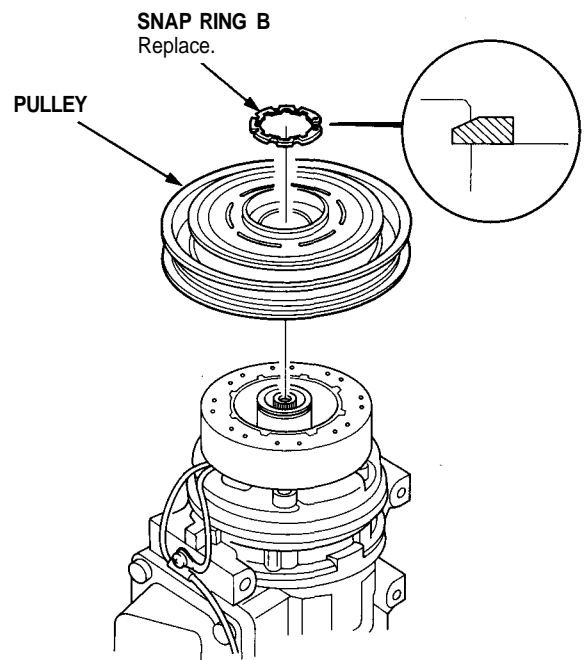
2. Remove the pressure plate and shim(s), taking care not to lose the shims.



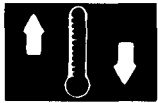
3. Use snap ring pliers to remove snap ring B, then remove the pulley.

NOTE:

- Be careful not to damage the pulley and compressor during removal/installation.
- Once the snap ring B was removed, replace it with a new one.



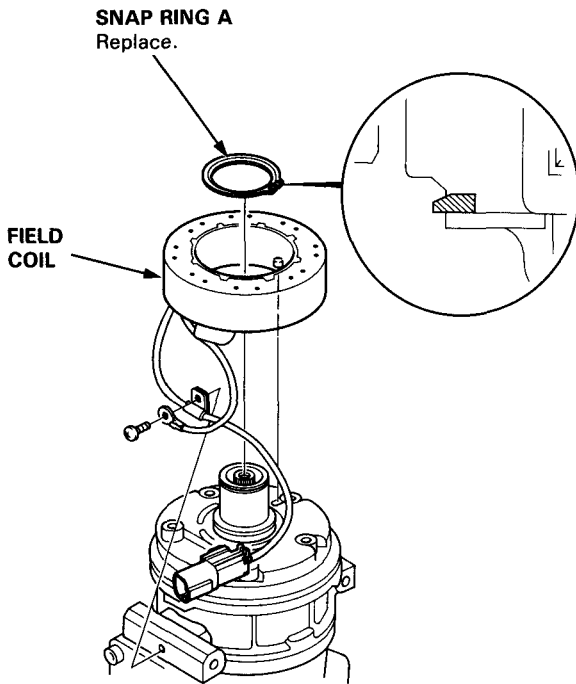
(cont'd)



4. Remove the snap ring A and the field coil.

NOTE:

- Be careful not to damage the field coil and compressor during removal/installation.
- Once the snap ring A was removed, replace it with a new one.



5. Install parts in the reverse order of removal, and:
 - Install the field coil with the wire side facing down (see above).
 - Clean the pulley and compressor sliding surfaces with non-petroleum solvent.
 - Check the pulley bearings for excessive play.
 - Make sure the snap rings are in the groove properly.
 - Apply locking agent to the threads on the center bolt.
 - Make sure that the pulley turns smoothly after it's reassembled.