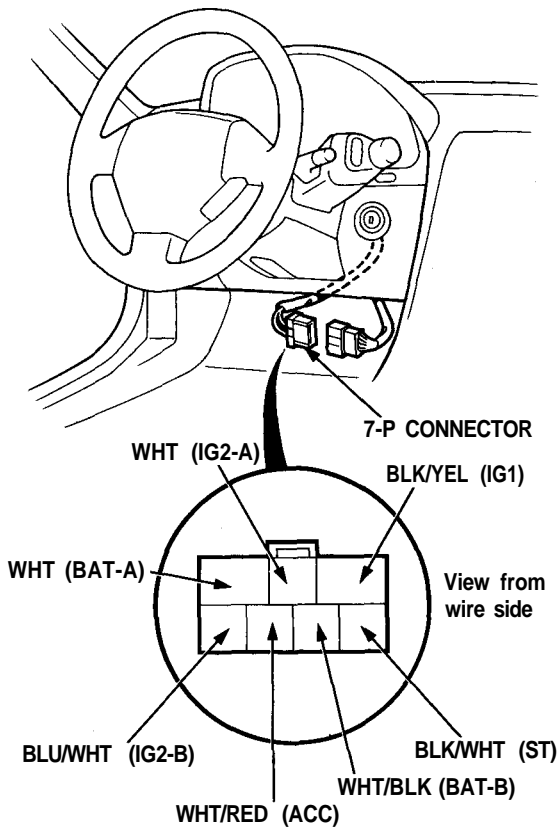


# Ignition Switch

## Test

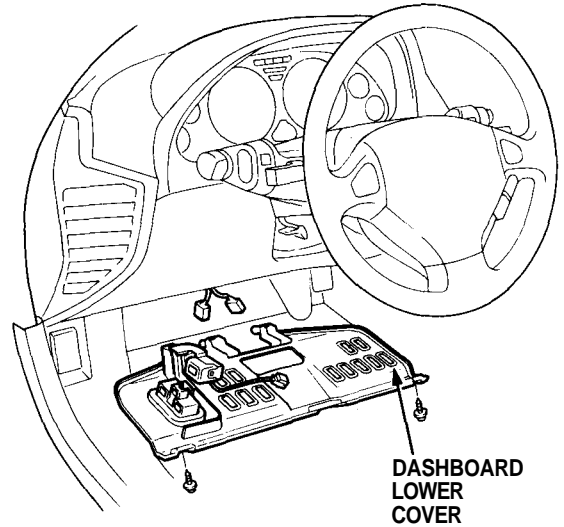
1. Remove the dashboard lower cover (see next column).
2. Disconnect the 7-P connector from the floor wire harness.
3. Check for continuity between the terminals in each switch position according to the table.



Terminal Position	WHT / RED (ACC)	WHT / BLK (BAT-B)	BLU / WHT (IG2-B)	WHT (BAT-A)	BLK / YEL (IG1)	WHT (IG2-A)	BLK / WHT (ST)
0							
I	○	○					
II	○	○	○	○	○	○	
III				○	○		○

## Electrical Switch Replacement

1. Remove the dashboard lower cover and disconnect the floor wire harness connectors.



2. Disconnect the 7-P connector from the floor wire harness.
3. Insert the key, and turn it to "0".
4. Remove the two screws, and replace the switch.

