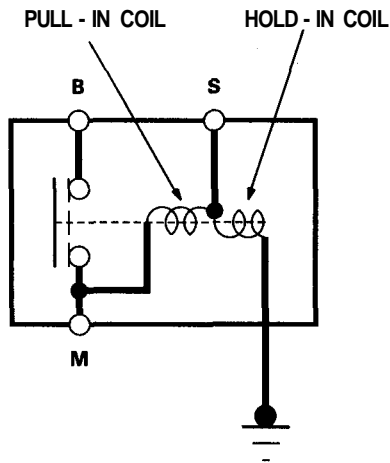
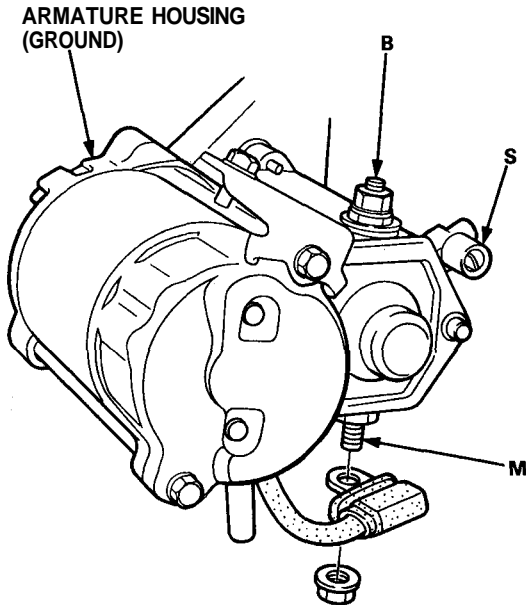




Starter Solenoid Test

1. Check the hold-in coil for continuity between the S terminal and the armature housing (ground). The coil is OK if there is continuity.



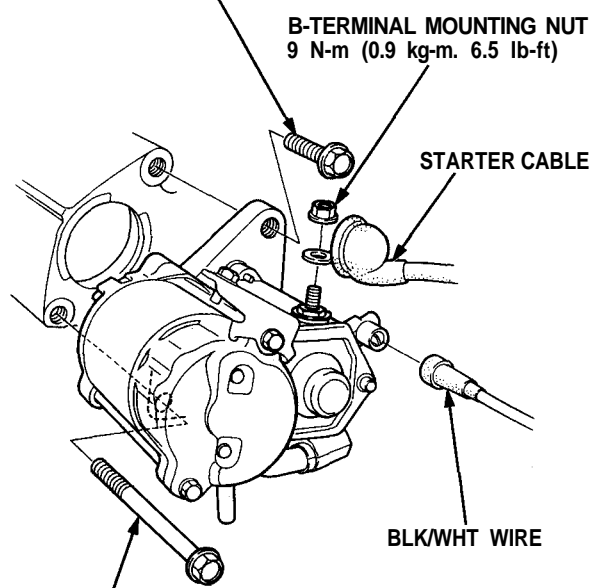
2. Check the pull-in coil for continuity between the S and M terminals. The coil is OK if there is continuity.

Starter Replacement

1. Disconnect the battery negative cable.
2. Remove the engine wire harness from the harness clip on the starter motor.
3. Disconnect the starter cable and the BLK/WHT wire.
4. Remove the two bolts holding the starter, and remove the starter.

UPPER MOUNTING BOLT
75 N-m (7.5 kg-m, 54 lb-ft)

B-TERMINAL MOUNTING NUT
9 N-m (0.9 kg-m, 6.5 lb-ft)



LOWER MOUNTING BOLT
75 N-m (7.5 kg-m, 54 lb-ft)