

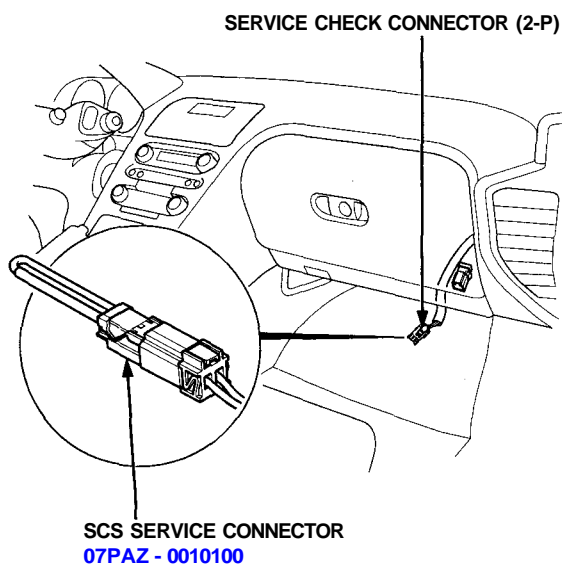


Ignition Timing Inspection

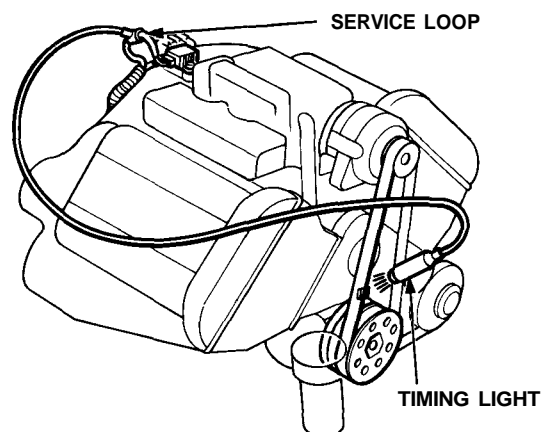
SRS components are located in this area. Review the SRS component locations, precautions, and procedures in the SRS [section 24](#) before performing repairs or service.

1. Pull out the service check connector located under the middle of the dash. Connect the BLU and BRN/BLK terminals with the SCS service connector.
2. Start the engine. Hold the engine at 3,000 rpm with no load (A/T in [N] or 0 position, M/T in neutral) until the radiator fan comes on, then let it idle.

NOTE: If you stop the engine or turn the ignition switch OFF after warm-up with the SCS service connector connected, the engine will idle at the base idle speed. That is, it will not be controlled by the ECM. To return to the normal idle speed, press the accelerator pedal one time.



3. Check the idle speed (see page [23-92](#)).
4. Connect a timing light to the service loop; while the engine idles, point the light toward the pointer on the timing belt cover.



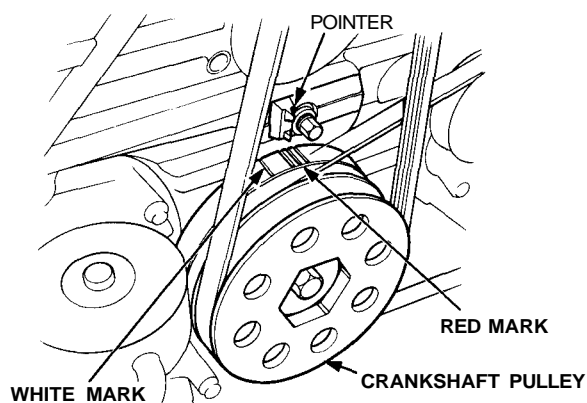
5. Check the ignition timing.

Ignition Timing: $15^\circ + 2^\circ$ BTDC (RED mark)

Idle Speed (rpm):

M/T	A/T
800 ± 50 (In neutral)	780 ± 50 (In [N] or [P])

NOTE: All electrical systems are turned OFF.



6. If it is necessary to adjust the ignition timing, replace the ECM.
7. Remove the SCS service connector from the service check connector.