

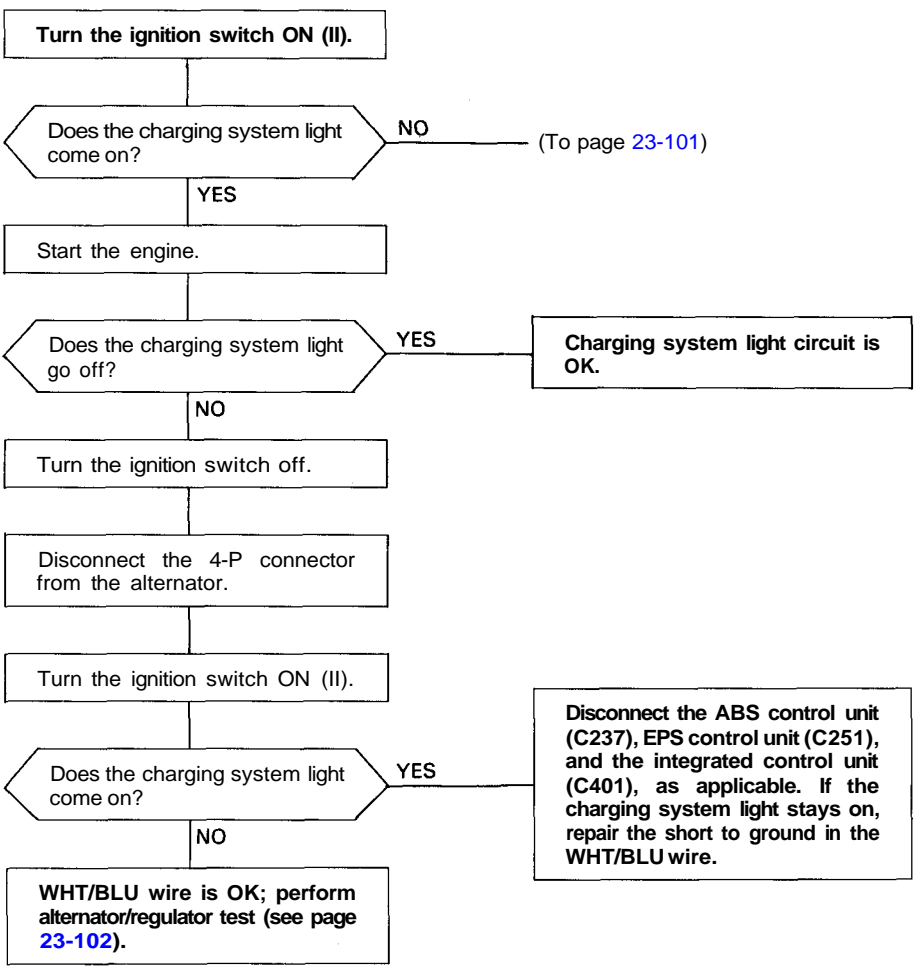
# Charging System

## Troubleshooting

If the charging system light is on, or the battery is dead or low, test the following items in the order listed:

1. Battery (see page 23-68)
2. Charging System Light
3. Alternator/Regulator

### Charging System Light Test





(From page 23-100)

Turn the ignition switch off.

Check fuse No. 2 (15 A).

Is the fuse OK?

NO

Replace the fuse.

YES

Disconnect the 4-P connector from the alternator.

Turn the ignition switch on.

Check for voltage in the YEL wire at the IG terminal of the 4-P connector.

Is there battery voltage?

NO

Repair open in the YEL wire.

YES

Ground the WHT/BLU wire at the L terminal of the 4-P connector.

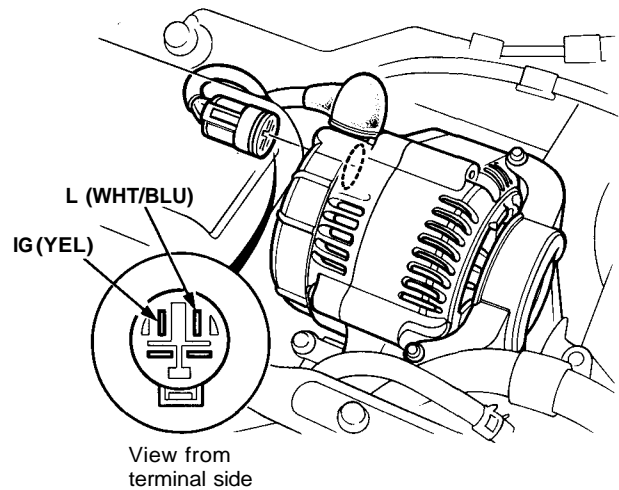
Does the charging system light come on?

NO

Check for a blown charging system light bulb. If the bulb is OK, repair open in the WHT/BLU wire.

YES

Perform alternator/regulator test (see page 23-102).



(cont'd)