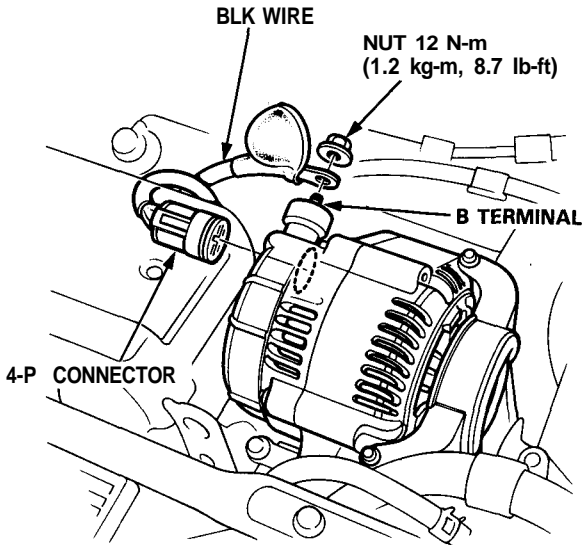


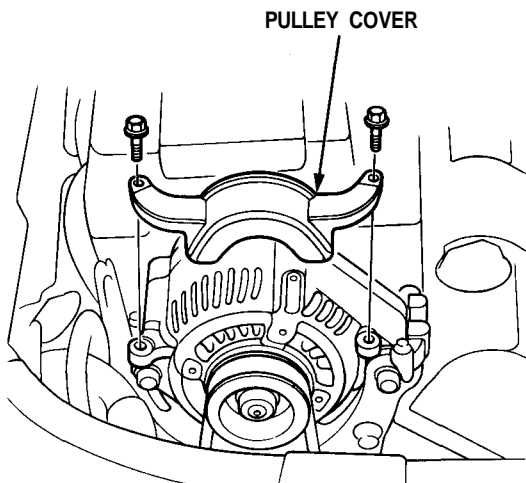


## Alternator Replacement

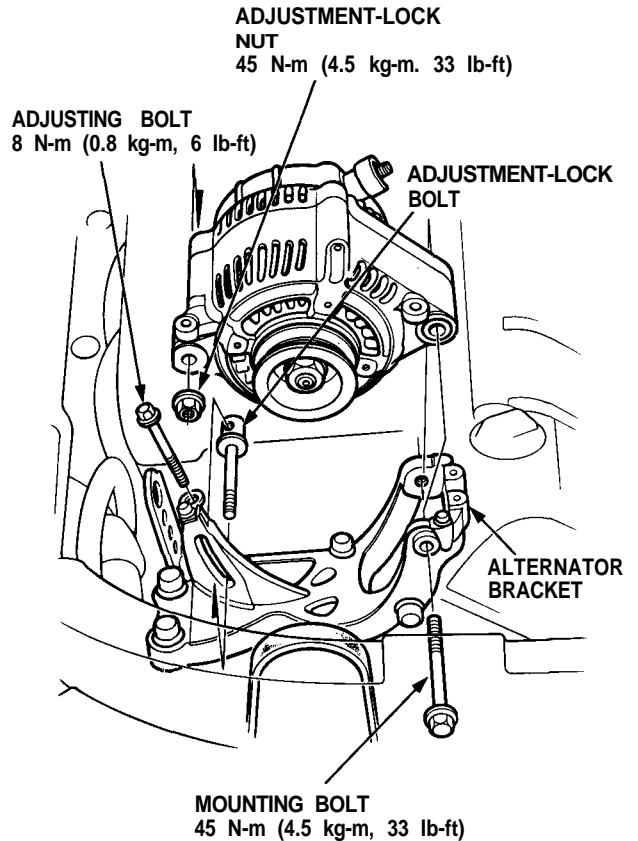
1. Disconnect the negative cable from the battery.
2. Disconnect the 4-P connector from the alternator.
3. Remove the nut and the BLK wire from the B terminal.



4. Remove the pulley cover from the alternator.



5. Remove the nut from the adjustment-lock bolt, loosen the mounting bolt and the adjusting bolt, then remove the belt from the pulley.



6. Remove the adjusting bolt, adjustment-lock bolt and the mounting bolt, then remove the alternator from the bracket.
7. Install the alternator in the reverse order of removal.
8. Adjust the alternator belt tension after installing the alternator (see page 23-109).