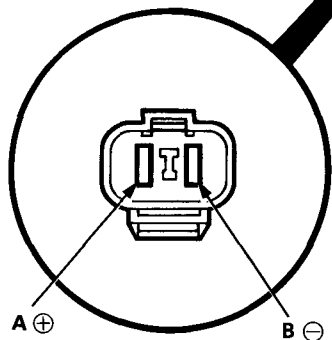
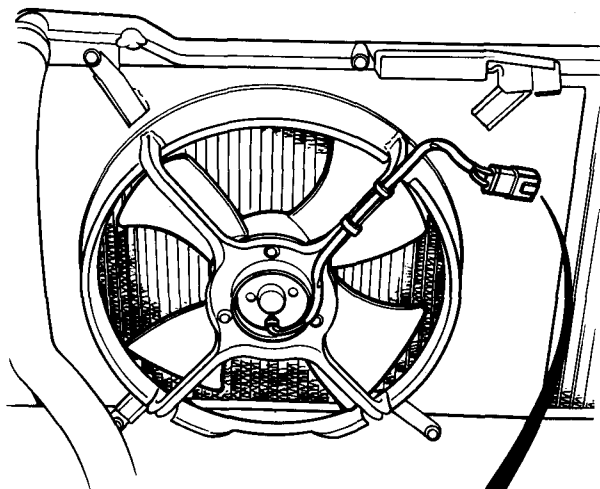




Radiator Fan Motor Test

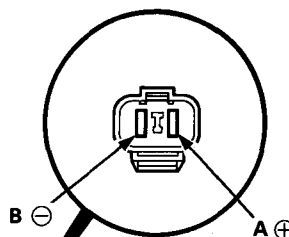
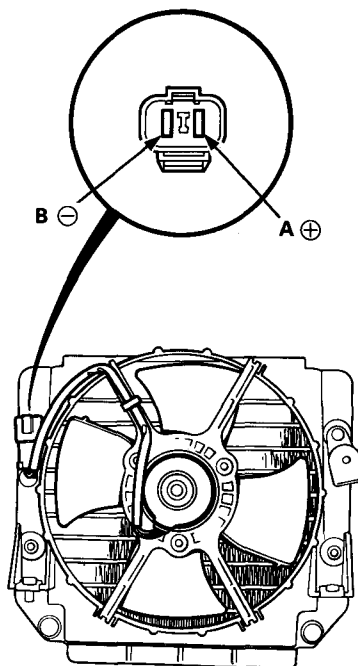
1. Disconnect the 2-P connector from the radiator fan motor.



2. Test the motor by connecting battery power to the A terminal, and ground to the B terminal.
3. If the motor fails to run or does not run smoothly, replace it.

Condenser Fan Motor Test

1. Disconnect the 2-P connector from the condenser fan motor.



NOTE: The illustration shows the right condenser.

2. Test the motor by connecting battery power to the A terminal, and ground to the B terminal.
3. If the motor fails to run or does not run smoothly, replace it.