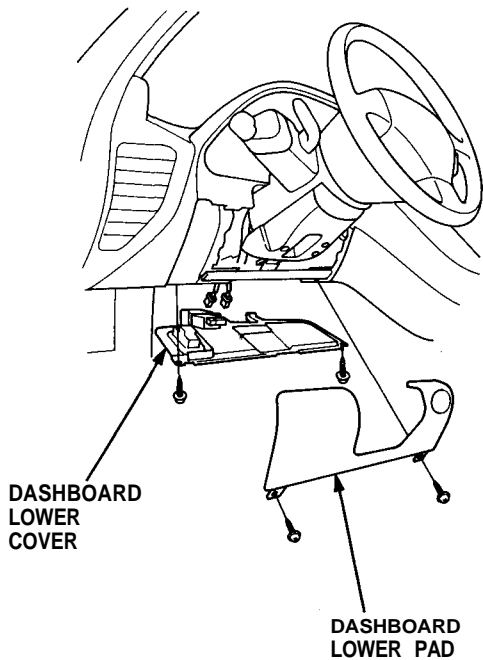


Gauge Assembly

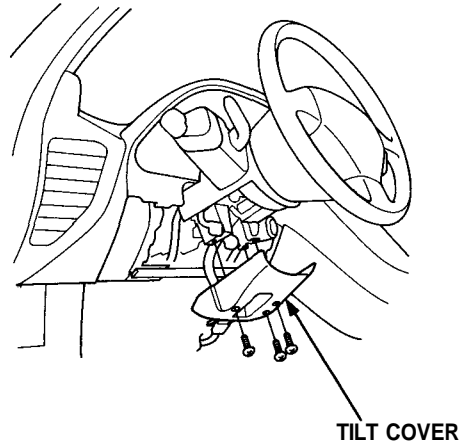
Removal

SRS components are located in this area. Review the SRS component locations, precautions, and procedures in the SRS [section 24](#) before performing repairs or service.

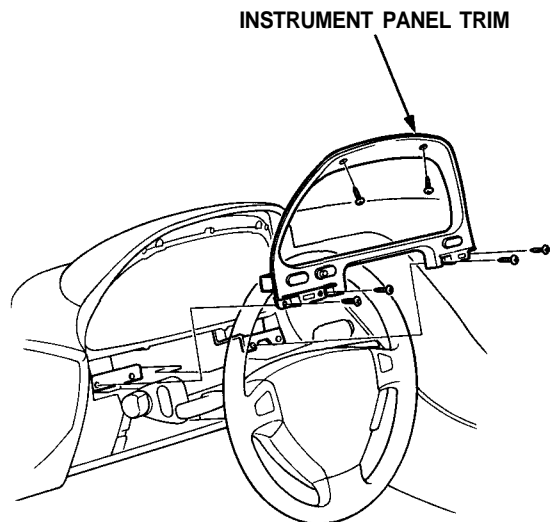
1. Remove the dashboard lower cover, and disconnect the floor wire harness connectors.
2. Remove the two screws, then remove the dashboard lower pad from the dashboard.



3. Remove the three screws, then remove the tilt cover from the steering column.

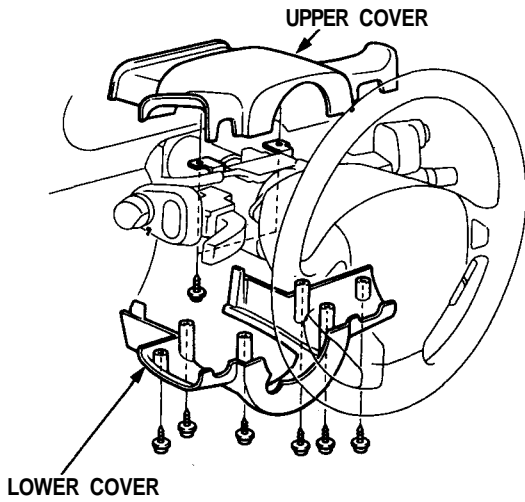


4. Disconnect the connectors from the instrument panel switches.
5. Remove the six screws, then remove the instrument panel trim from the dashboard.

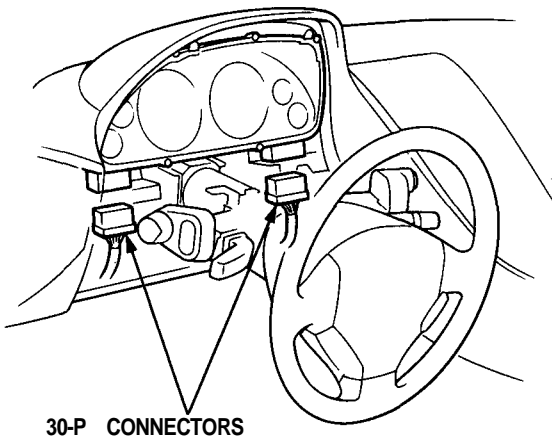




6. Remove the eight screws, then remove the steering column covers.



7. Disconnect the 30-P connectors from both sides of the gauge assembly.



8. Lay a protective cloth on the combination switches to prevent scratching the gauge assembly. Remove the four screws, then take out the gauge assembly as shown.

