

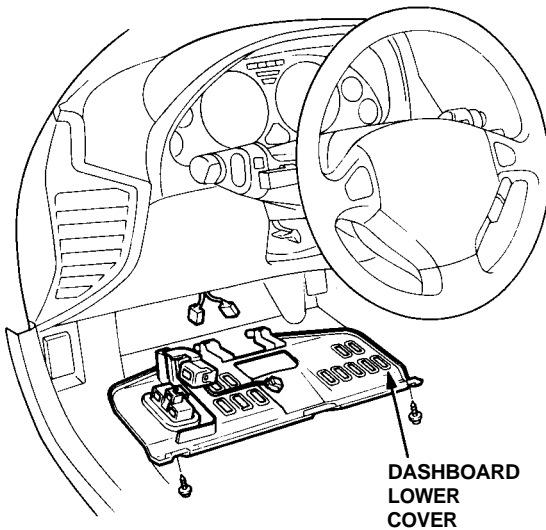
Key-in Reminder System

Ignition Key Switch Test

NOTE: Refer to page 23-165 for the input test of key-in reminder, beeper circuit.

When the ignition key is not removed, the key-in reminder in the integrated control unit senses ground through the closed ignition key switch. When you open the driver's door, the reminder circuit senses ground through the closed door switch. With ground at the "BLU/GRN" and "GRN/BLU₂" terminals, the beeper sounds.

1. Remove the dashboard lower cover, and disconnect the floor wire harness connectors.



3. Disconnect the 8-P connector from the floor wire harness.
4. There should be continuity between the No. 8 and No. 7 terminals when the ignition key is inserted. There should be no continuity with the ignition key removed.

