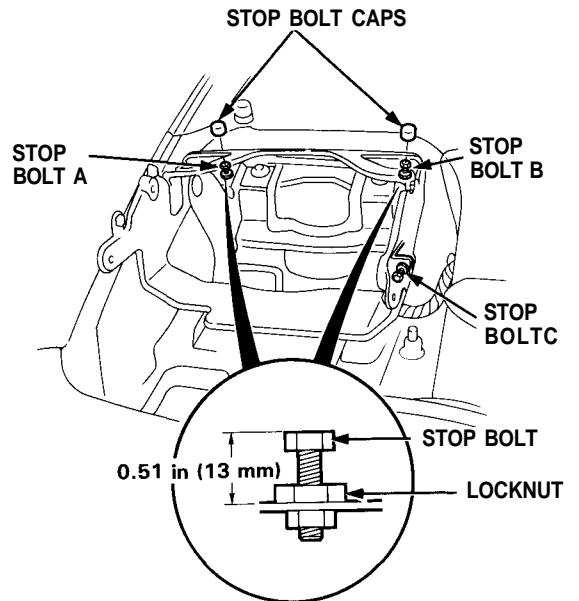


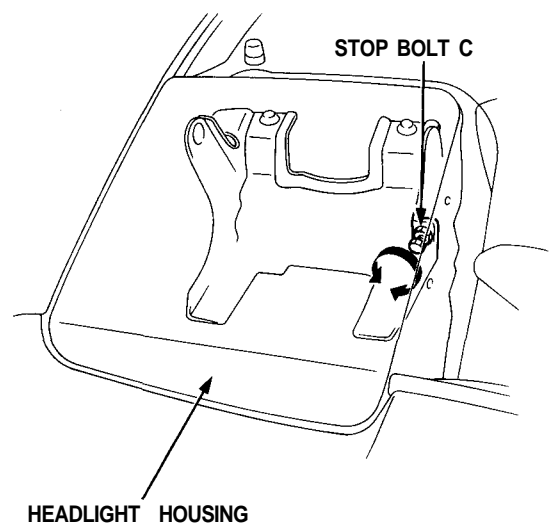


Headlight Housing Adjustment

1. Remove the stop bolt caps.
2. Adjust stop bolts A and B.



3. Adjust stop bolt C in or out until the headlight housing fits flush with the front fender when the headlight is down.



(cont'd)

Lighting System

Headlight Housing Adjustment (cont'd)

4. Adjust the retractor motor toward front or rear until the headlight housing fits flush with the front fender when the headlight is down.

NOTE: Be careful not to damage the headlight housing.

