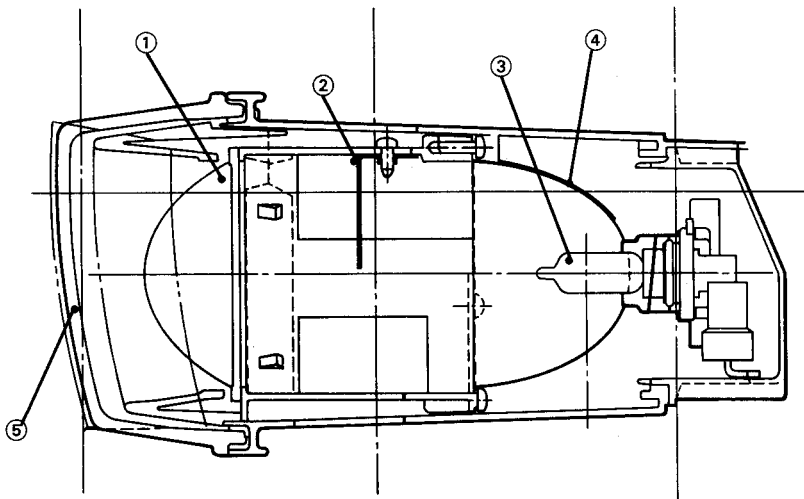
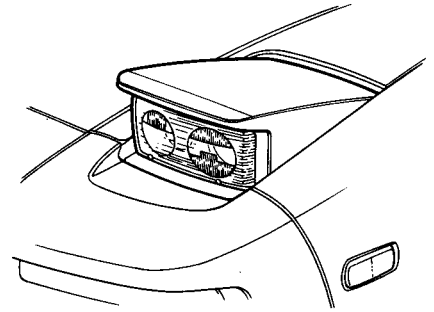




Headlights

Description

The light first forms basic pattern A after being interrupted by the interrupter plate and passed through the convex lens. The interrupter plate determines the form. The outer lens distributes the light into pattern B.



- ① CONVEX LENS
- ② INTERRUPTER PLATE
- ③ BULB
- ④ REFLECTOR
- ⑤ OUTER LENS

Screen

