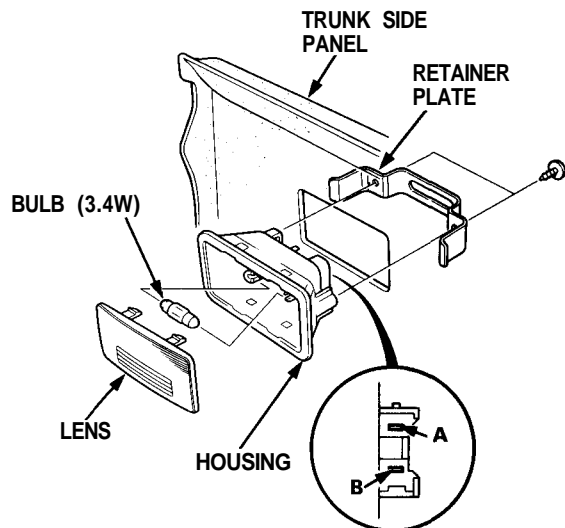




Trunk Light Test/Replacement

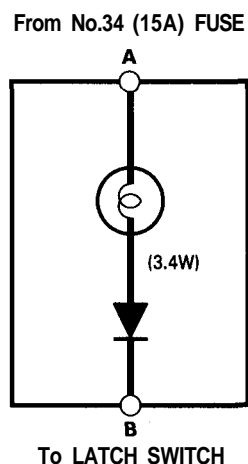
NOTE: The bulb or lens alone can be replaced without having to remove the trunk side panel.

1. Remove the trunk side panel.
2. Disconnect the 3-P connector from the light housing.
3. Remove the two screws and the retainer plate, then remove the light from the trunk side panel.



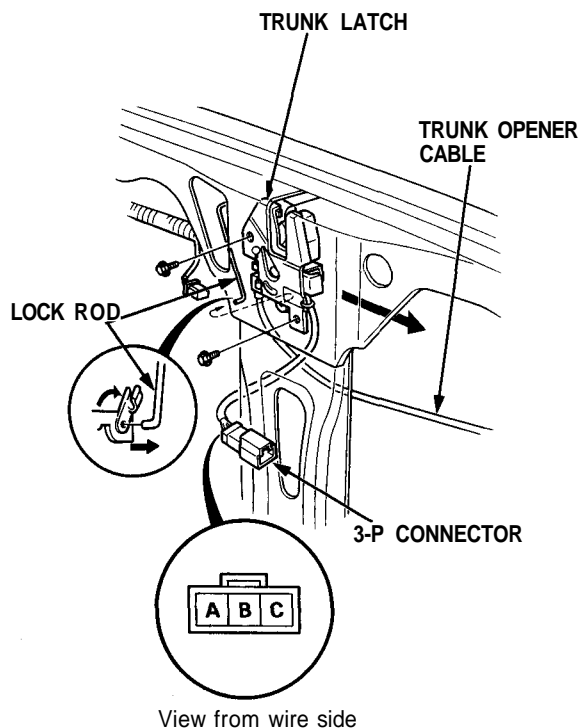
4. Make sure that the bulb is OK, then check for continuity between the A and B terminals. There should be continuity.

NOTE: This light has a built-in diode. To get an accurate reading, either test it with a volt-ohmmeter that compensates for diodes, or make sure you connect your test leads to match the polarity shown.



Latch Switch Test/Replacement

1. Open the trunk lid, and remove the trunk rear panel.
2. Disconnect the trunk latch 3-P connector.



3. Check for continuity between the A terminal and body ground with the latch open. There should be continuity.
4. If you need to remove the latch, disconnect the lock rod from the latch, then remove the two bolts, and pull the latch toward the left side.
5. Disconnect the trunk opener cable from the latch.