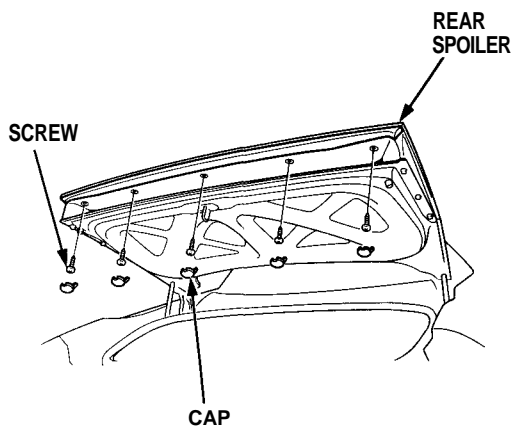


# Brake Lights

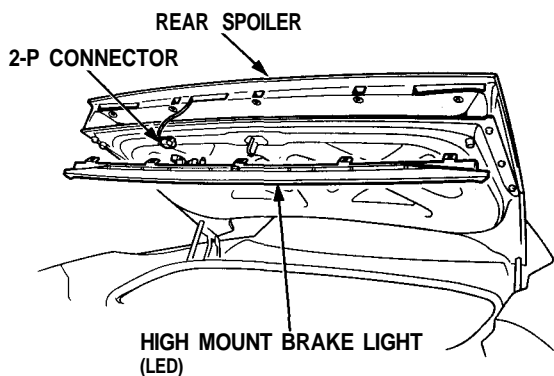
## High Mount Brake Light Replacement

**CAUTION:** Be careful not to damage the high mount brake light, rear spoiler, and trunk lid.

1. Open the trunk lid.
2. Remove the caps and five screws from the rear spoiler.



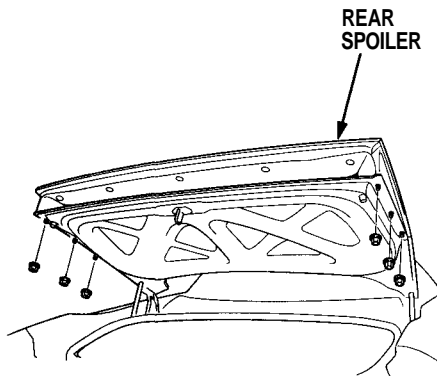
3. Carefully pull the high mount brake light out of the rear spoiler, then disconnect the 2-P connector from the high mount brake light.



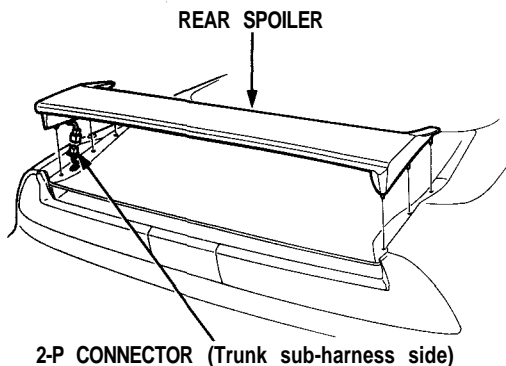
## Rear Spoiler Replacement

**CAUTION:** Be careful not to damage the high mount brake light, rear spoiler, and trunk lid.

1. Open the trunk lid.
2. Remove the six mounting nuts.



3. Carefully lift the rear spoiler assembly off the rear trunk lid.



4. Disconnect the 2-P connector from the trunk sub-harness.