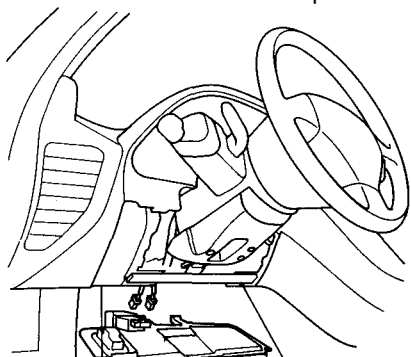




Controller Removal

SRS components are located in this area. Review the SRS component locations, precautions, and procedures in the SRS [section 24](#) before performing repairs or service.

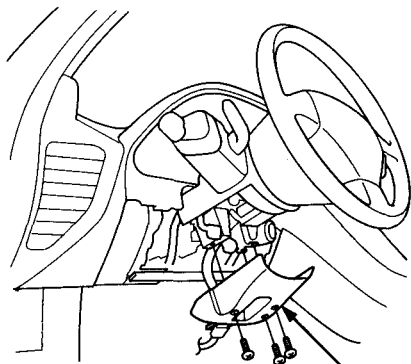
1. Remove the dashboard lower cover, and disconnect the connectors.
2. Remove the dashboard lower pad.



DASHBOARD LOWER COVER

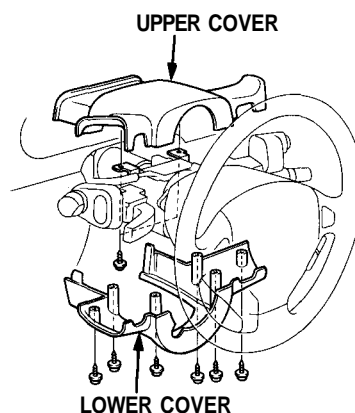
DASHBOARD LOWER PAD

3. Remove the tilt cover.



TILT COVER

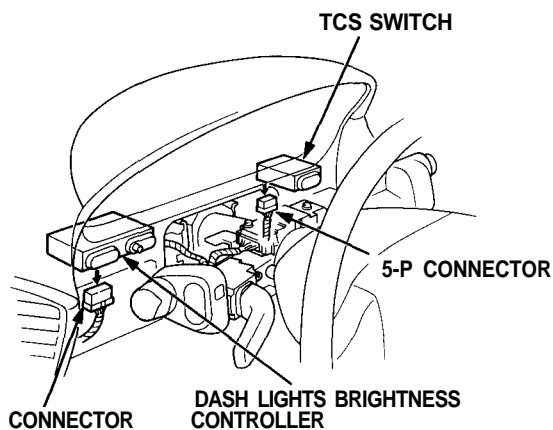
4. Remove the steering column covers.



UPPER COVER

LOWER COVER

5. Disconnect the 5-P and 10-P connectors from each switch.



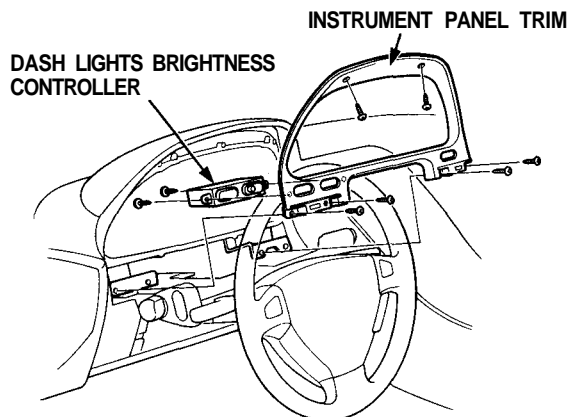
TCS SWITCH

5-P CONNECTOR

DASH LIGHTS BRIGHTNESS CONTROLLER

10-P CONNECTOR

6. Remove the six screws, then remove the instrument panel trim from the dashboard.



INSTRUMENT PANEL TRIM

DASH LIGHTS BRIGHTNESS CONTROLLER

7. Remove two screws, then remove the dash lights brightness controller from the instrument panel trim.