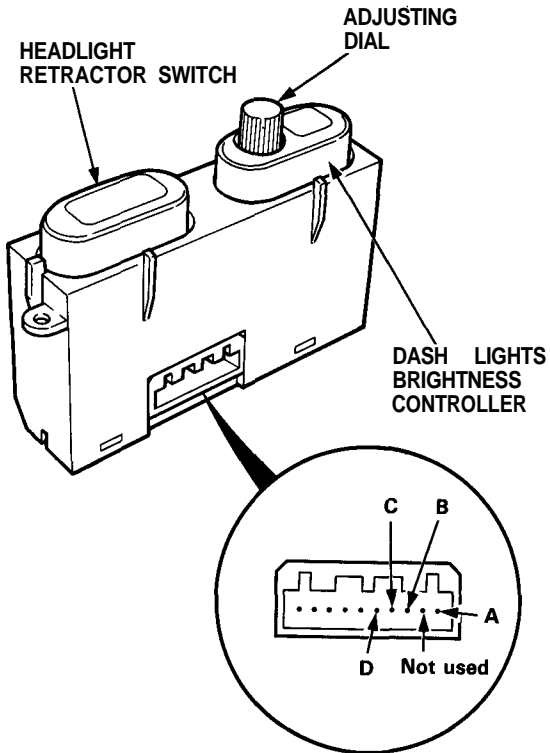


# Dash Lights Brightness Control

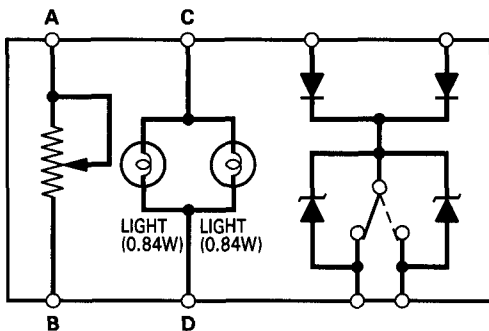
## Controller Test

1. Remove the dash lights brightness controller from the instrument panel (see previous page).
2. Measure resistance between A and B terminals while rotating the adjusting dial. Resistance should vary from 0 to 20,000 ohms as the dial is rotated.

NOTE: Resistance will vary slightly with temperature.



Dash lights brightness controller



## Controller Light Bulb Replacement

1. Remove the dash lights brightness controller.
2. Turn the socket 45° counterclockwise to remove it.

