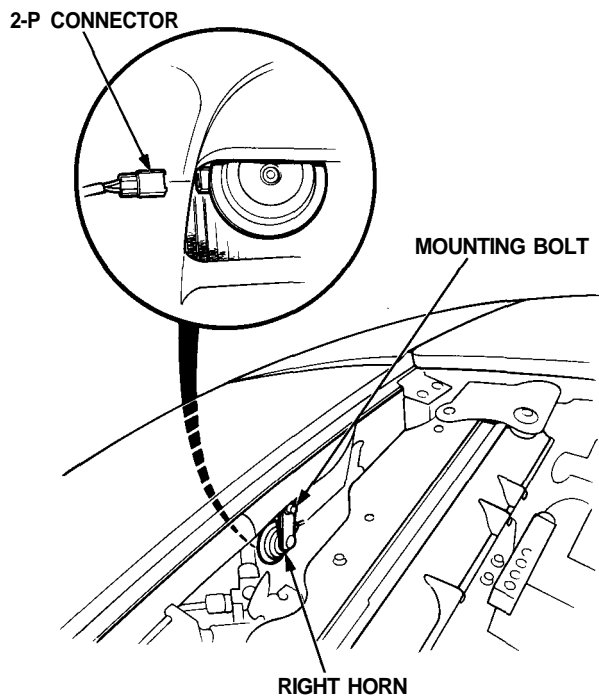


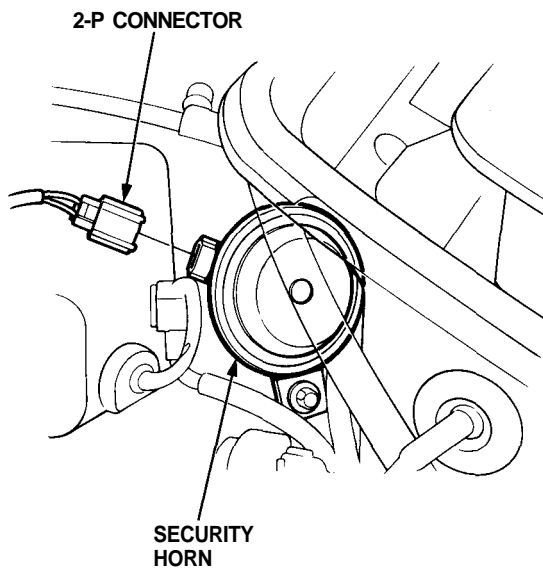
# Horns

## Horn Test

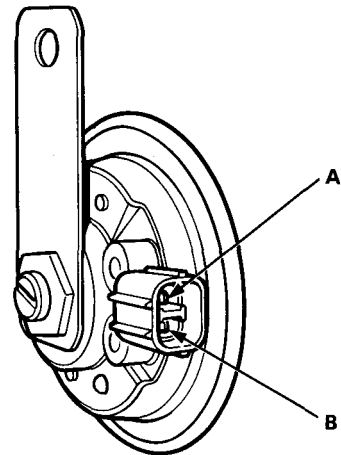
1. Disconnect the 2-P connector from the horn.
2. Remove the right and left horns.



### Security Horn:



3. Test the horn by connecting power to the A or B terminals and ground to the other. The horn should sound.



4. If the horn fails to sound, replace it.