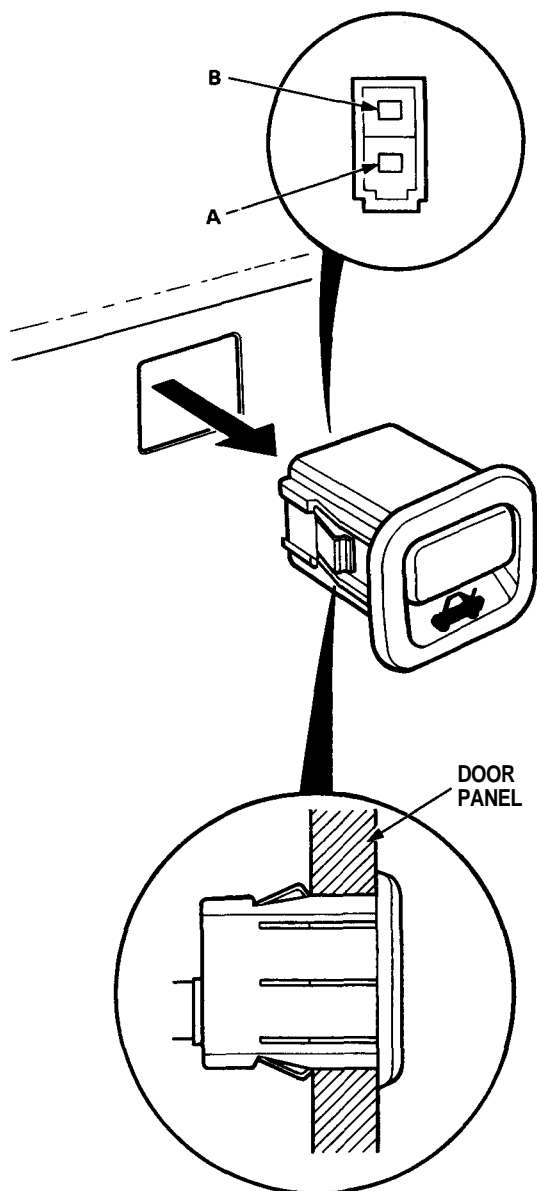


Trunk Opener

Opener Switch Test

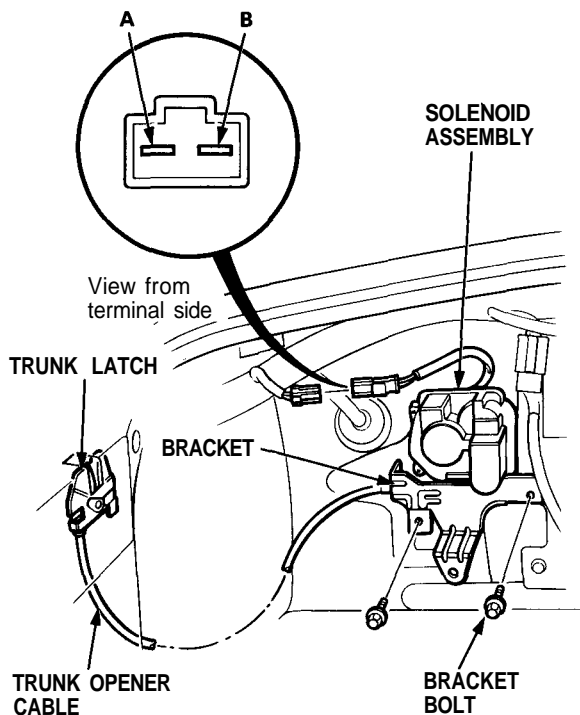
1. Remove the driver's door panel, then push the switch out of the door panel as shown.



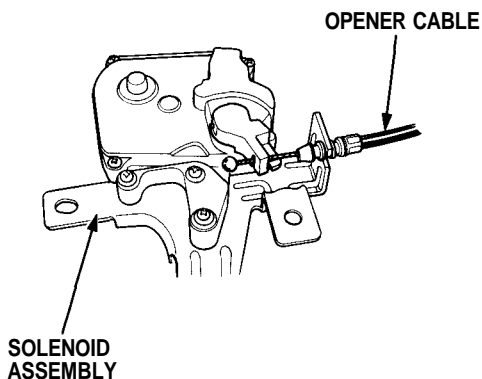
2. Check for continuity between the terminals.
 - There should be continuity between the A and B terminals when the switch is pushed.
 - There should be no continuity when the switch is released.

Solenoid Test/Replacement

1. Open the trunk lid, and remove the trunk side trim panel.
2. Disconnect the 2-P connector from the solenoid assembly, and test solenoid operation by connecting battery power and ground to the A and B terminals momentarily.



3. To remove the solenoid, remove the two bolts, then disconnect the trunk opener cable from the solenoid assembly.



4. Install in the reverse order of removal.