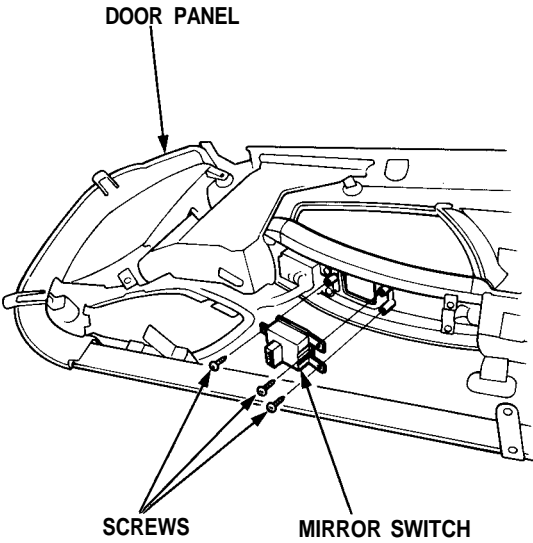


Power Mirrors

Switch Removal

1. Remove the left door panel, then disconnect all connectors from the door panel (see [section 20](#)).
2. Remove the three screws, then remove the mirror switch from the armrest.



Switch Test

1. Remove the power mirror switch from the armrest.
2. Check for continuity between the terminals in each switch position according to the table.

Mirror Switch

Terminal		3	4	5	6	7	9	10	2	8
Position										
RIGHT	OFF	○		○	○			○		
	UP			○			○			
	DOWN	○			○		○			
	LEFT			○	○		○			
	RIGHT	○					○			
LEFT	OFF		○	○		○	○	○	○	○
	UP			○			○			
	DOWN		○			○	○			
	LEFT			○		○	○			
	RIGHT		○				○			

